

4

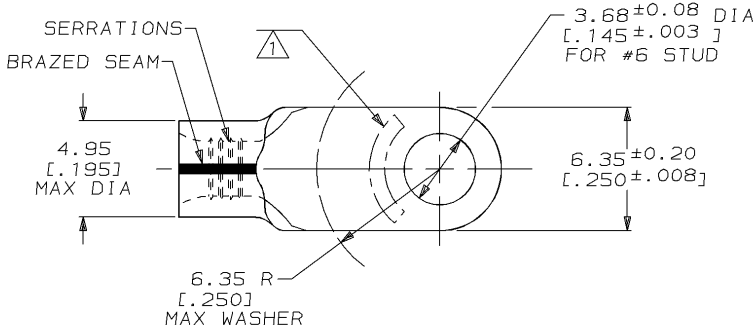
3

2

1

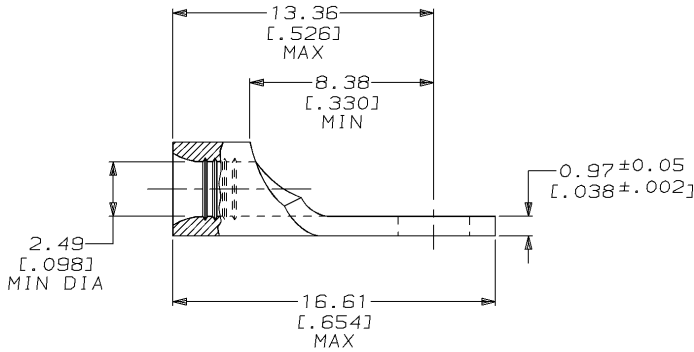
THIS DRAWING IS UNPUBLISHED. RELEASED FOR PUBLICATION
 © COPYRIGHT 19 BY AMP INCORPORATED. ALL RIGHTS RESERVED.

LOC	DIST	REVISIONS			
P	LTR	DESCRIPTION	DATE	DWN	APVD
G	14	D	REVISED PER 0L20-0067-97	26MAR97	DKS MJS



AMP WIRE RANGE	UL E13288 Listed
14-12 AWG SOLID OR STRANDED	14-12 AWG STRANDED
SQ LR7189 Certified	MILITARY P/N AND CLASS
14-12 AWG SOLID OR STRANDED	NOT APPLICABLE

△ STAMP AMP 14-12* APPROX AS SHOWN



50	LOOSE PIECE, BOX	8-35684-2
5000	TAPE MOUNTED, REEL	2-35684-1
-	LOOSE PIECE	35684
QTY	PACKAGE TYPE	AMP PART NUMBER

AMP INCORPORATED CUSTOMER SERVICE SYSTEMS

FOR ADDITIONAL PRODUCT INFORMATION OR COPIES OF DRAWINGS AND TECHNICAL DOCUMENTS	PRODUCT INFORMATION CENTER 1-800-522-6752	RECOMMENDED OPERATING TEMPERATURE, 170°C MAX
FOR APPLICATION TOOLING INFORMATION	TOOLING ASSISTANCE CENTER 1-800-722-1111	VOLTAGE RATING: NOT APPLICABLE
FOR ORDER ENTRY	1-800-526-5142	WIRE CROSS SECTIONAL AREA RANGE, 1.65-4.17mm ² [3,260-8,230] CIR MILS SOLID OR STRANDED

THIS DRAWING IS A CONTROLLED DOCUMENT FOR AMP INCORPORATED. IT IS SUBJECT TO CHANGE AND THE CONTROLLING ENGINEERING ORGANIZATION SHOULD BE CONTACTED FOR THE LATEST REVISION.	
DIMENSIONS: mm (INCHES)	TOLERANCES UNLESS OTHERWISE SPECIFIED, mm (INCHES)
0 PLC ±-	0 PLC ±-
1 PLC ±-	1 PLC ±-
2 PLC ±-	2 PLC ±0.20 [.008]
3 PLC ±-	3 PLC ±-
4 PLC ±-	4 PLC ±-
ANGLES	ANGLES ±-
MATERIAL COPPER PER ASTM B-152 ANNEALED	FINISH TIN PLATE 0.00254 [.000100] MIN THK PER MIL-I-10727

DWN DK SCHRUM 26MAR97	AMP Incorporated Harrisburg, PA 17105-3608
CHK MJ SPICER 27MAR97	NAME AMP TERMINAL, RING TONGUE, SOLISTRAND™
APVD JL MECKLEY 27MAR97	
PRODUCT SPEC -	SIZE A3
APPLICATION SPEC -	CAGE CODE 00779
WEIGHT -	DRAWING NO C-35684
CUSTOMER DRAWING	SCALE 5:1
	SHEET 1 OF 1
	REV D

AMP 1470-19 REV 09MAY94

26-MAR-97 09:49:00 amp26463 /ws/dep1123/dwg1123/u.solistrand/u.int.in