

4

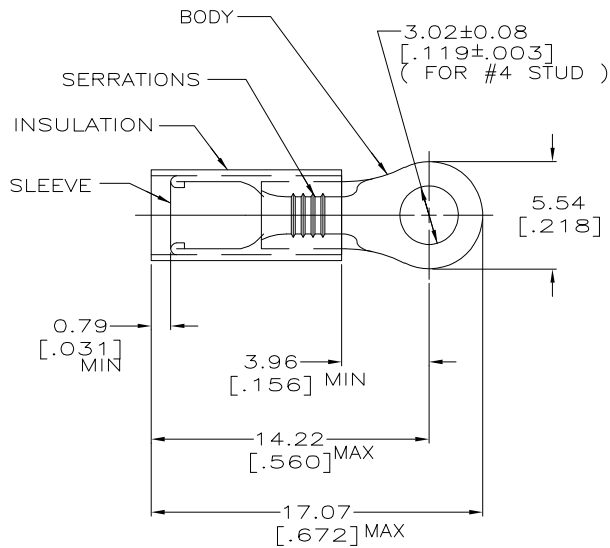
3

2

1

THIS DRAWING IS UNPUBLISHED. RELEASED FOR PUBLICATION
 © COPYRIGHT - BY TYCO ELECTRONICS CORPORATION. ALL RIGHTS RESERVED.

LOC	DIST	REVISIONS			
P	LTR	DESCRIPTION	DATE	DWN	APVD
G	86	H3	REV PER ECR 05-013140	19OCT05	JR TM



- 1 STAMP " AMP 18-16"
- 2 FOR 1.40 TO 3.43 [.055 TO .135] WIRE INSULATION DIA.
- 3 TONGUE MATERIAL THK: 0.79±0.05 [.031±.002]
- 4 BODY: MATERIAL: COPPER ASTM B152
FINISH: GOLD PL. PER ASTM B488, TYPE 2 GRADE C, OVER NICKEL PER (QQ-N-290).
- 5 SLEEVE: MATERIAL: COPPER ASTM B152
FINISH: NICKEL PL. (QQ-N-290)
0.0076 [.0003] AVG EXT THK.
- 6 INSULATION: MATERIAL: TEFLON (ASTM D3295)
COLOR: ORANGE

332452

PART NO.

AMP INCORPORATED CUSTOMER SERVICE SYSTEMS		MAX RECOMMENDED OPERATING TEMPERATURE: 288°C [550° F]	THIS DRAWING IS A CONTROLLED DOCUMENT.		DWN JR RUTH 11JUL05	Tyco Electronics Corporation Harrisburg, Pa 17105-3608
FOR ADDITIONAL PRODUCT INFORMATION OR COPIES OF DRAWINGS AND TECHNICAL DOCUMENTS	PRODUCT INFORMATION CENTER 1-800-522-6752	VOLTAGE RATING: 300V MAX	DIMENSIONS: INCHES	TOLERANCES UNLESS OTHERWISE SPECIFIED:	CHK T MICHELUTTI 11JUL05	
FOR APPLICATION	TOOLING ASSISTANCE CENTER 1-800-722-1111	CIRCULAR MIL AREA: 0.81-1.42mm² [1,600-2,800] STRANDED WIRE ONLY		0 PLC ± - 1 PLC ± - 2 PLC ± 0.20[.008] 3 PLC ± - 4 PLC ± - ANGLES ± -	APVD T MICHELUTTI 11JUL05	PRODUCT SPEC
TOOLING INFORMATION	1-800-722-1111	THIS DRAWING IS A CONTROLLED DOCUMENT FOR AMP INCORPORATED. IT IS SUBJECT TO CHANGE AND THE CONTROLLING ENGINEERING ORGANIZATION SHOULD BE CONTACTED FOR THE LATEST REVISION.	MATERIAL	FINISH	APPLICATION SPEC	SIZE
FOR ORDER ENTRY	1-800-526-5142		4 5 6	4 5 6	WEIGHT	CAGE CODE
AMP 1470-19 REV 31MAR2000					CUSTOMER DRAWING	DRAWING NO
						RESTRICTED TO
						SCALE
						SHEET
						OF
						REV
						H3