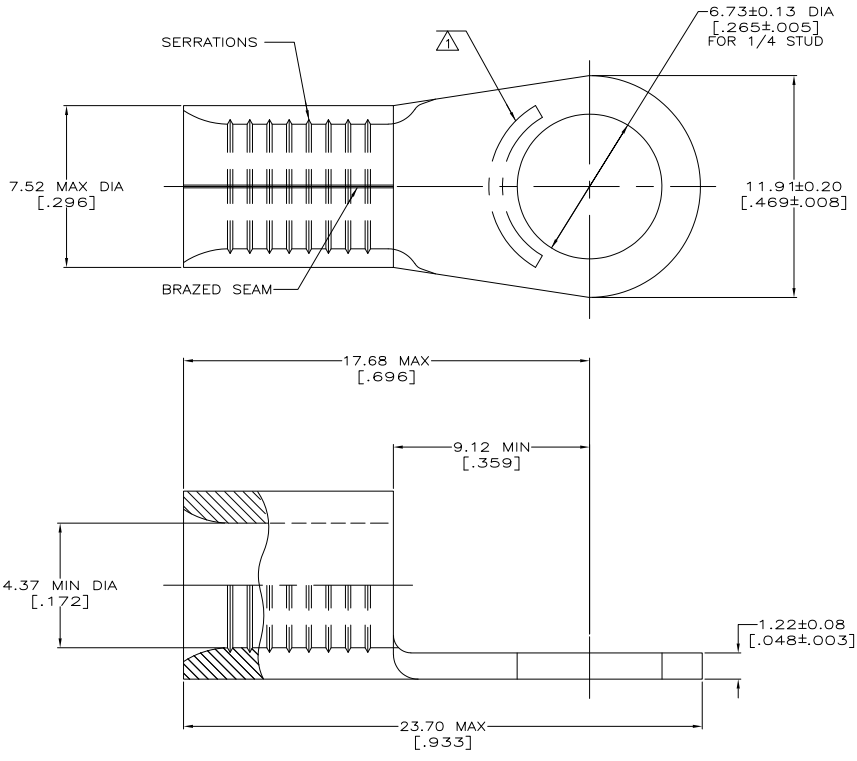


THIS DRAWING IS UNPUBLISHED. RELEASED FOR PUBLICATION. ALL RIGHTS RESERVED.

LOC	DATE	REVISIONS	DATE	BY	APPD
G	14				
		DESCRIPTION			
		C2	REVISED PER ECO-11-005027	11MAR11	RK HMR



AMP
WIRE RANGE
8 AWG
SOLID OR STRANDED

- △ STAMP AMP 8* APPROX AS SHOWN
- △ COPPER PER ASTM B-152, ANNEALED
- △ NICKEL PLATE 0.00762 [.000300] MIN THK PER QQ-N-290

323166
PART NO.

MAX RECOMMENDED OPERATING TEMPERATURE: 34.3°C MAX VOLTAGE RATING: N/A CIRCULAR MIL AREA: 8.64-10.5mm² [13,100-20,800] SOLID OR STRANDED	THIS DRAWING IS A CONTROLLED DOCUMENT. DIMENSIONS: mm [INCHES] TOLERANCES UNLESS OTHERWISE SPECIFIED: 0 PUC ± .005 1 PUC ± .005 2 PUC ± .005 3 PUC ± .005 4 PUC ± .005 ANGLES ± .5° MATERIAL: - △ FINISH: - △	DWG: TA BRINKMAN 4-19-93 DRA: DA PATTERSON 4-19-93 APD: JL MECKLEY 4-19-93 PRODUCT SPEC: - APPLICATION SPEC: - WEIGHT: - CUSTOMER DRAWING	TE TE Connectivity TERMINAL, RING TONGUE, HEAT RESISTANT, STRATO-THERM SIZE: A2 CAGE CODE: 00779 DRAWING NO: 323166 RESTRICTED TO: - SCALE: 8:1 SHEET: 1 of 1 REV: C2
---	---	---	--