

4

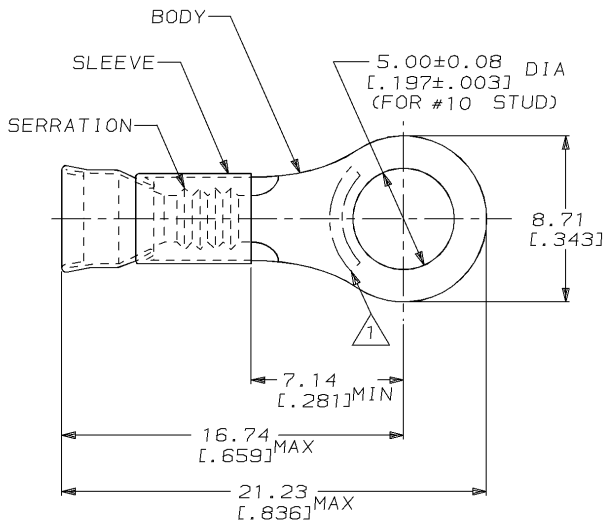
3

2

1

THIS DRAWING IS UNPUBLISHED. RELEASED FOR PUBLICATION, 19
 © COPYRIGHT 19 BY AMP INCORPORATED. ALL RIGHTS RESERVED.

LOC	DIST	REVISIONS					
		P	LTR	DESCRIPTION	DATE	DWN	APVD
G	14	F		REV / 0L20-0040-96	06JAN97	ME	TM



△ STAMP AMP 16-14* APPROX AS SHOWN

2. WIRE INSUL DIA, 2.03-3.30 [.080-.130]
3. TONGUE MATL THK, 0.79±0.05 [.031±.002]

1000	LOOSE PIECE	323161
QTY	PACKAGE TYPE	PART NO

AMP INCORPORATED CUSTOMER SERVICE SYSTEM		MAX RECOMMENDED OPERATING TEMPERATURE: 343°C [650°F]	THIS DRAWING IS A CONTROLLED DOCUMENT FOR AMP INCORPORATED. IT IS SUBJECT TO CHANGE AND THE CONTROLLING ENGINEERING ORGANIZATION SHOULD BE CONTACTED FOR THE LATEST REVISION.		DWN L OLMEDA 100CT94	AMP Incorporated Harrisburg, PA 17105-3608
FOR ADDITIONAL PRODUCT INFORMATION OR COPIES OF DRAWINGS AND TECHNICAL DOCUMENTS	PRODUCT INFORMATION CENTER 1-800-522-6752	VOLTAGE RATING: -	DIMENSIONS: mm [in]	TOLERANCES UNLESS OTHERWISE SPECIFIED: 0 PLC ±- 1 PLC ±- 2 PLC ±0.20 (.008) 3 PLC ±- 4 PLC ±- ANGLES ±-	CHK M ELLIS 100CT94	
FOR APPLICATION TOOLING INFORMATION	TOOLING ASSISTANCE CENTER 1-800-722-1111	CIRCULAR MIL AREA: 1.04mm ² -2.62mm ² [2050-5180]	MATERIAL BODY, CU PER ASTM B152 FINISH BODY, NP, QQ-N-290		PRODUCT SPEC -	APPLICATION SPEC -
FOR ORDER ENTRY	1-800-526-5142	STRANDED WIRE	SLEEVE, NI SIL PER ASTM B122		WEIGHT -	SIZE A3
					CASE CODE 00779	DRAWING NO 323161
					CUSTOMER DRAWING	SCALE 6:1
					SHEET 1	REV F

AMP 1470-19 REV 09MAY94

06 JAN 1997 14:05:17 AMP10390 <UJ128A>DEPT1132>U.DWG1132>U.RBY>U.DIAMOND-GRIP>U.STRATOTHERM>U.CUST