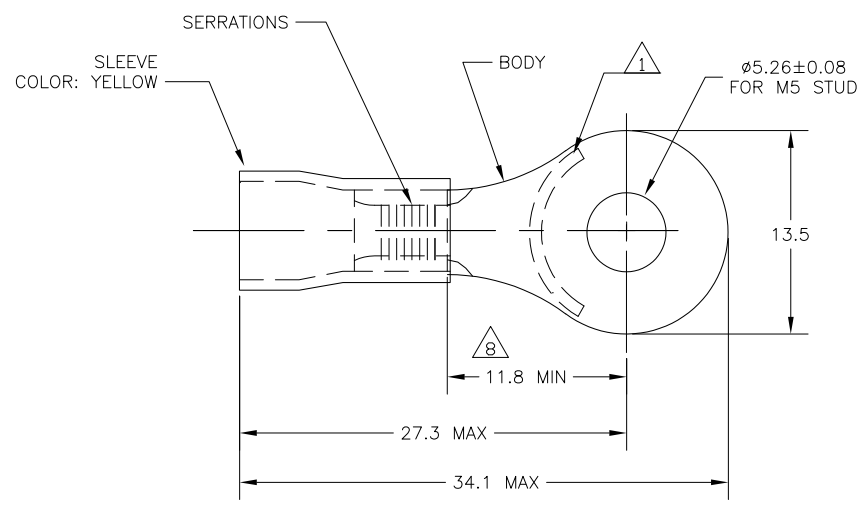


THIS DRAWING IS UNPUBLISHED. RELEASED FOR PUBLICATION
 © COPYRIGHT - By - ALL RIGHTS RESERVED.

LOC	DIST	REVISIONS			
P	LTR	DESCRIPTION	DATE	DWN	APVD
G	14	B1	REVISED PER ECO-11-005027	11MAR11	RK HMR



- 1 STAMP "AMP 12-10*", LOCATION APPROX AS SHOWN.
- 2 WIRE INSULATION DIA 3.8-6.4
- 3 OPERATING TEMPERATURE 90°C MAX
- 4 VOLTAGE RATING 600V MAX
- 5 CMA 2.62-6.64mm² [5,180-13,100]
- 6 MATERIAL:
BODY - COPPER PER ASTM B-152
INSULATION - PVC
- 7 FINISH:
BODY - TIN PL PER ASTM B-545
INSULATION - COLOR-YELLOW
- 8 APPLIES FROM EDGE OF METAL WIRE BARREL TO CENTER OF STUD HOLE.
- 9 MATERIAL THICKNESS IS 1.00±0.05

LOOSE PIECE	160293
PACKAGE TYPE	PART NO

THIS DRAWING IS A CONTROLLED DOCUMENT.		DWN	jr_ruth	19NOV08
DIMENSIONS:		CHK	T MICHELUTTI	19NOV08
MM	TOLERANCES UNLESS OTHERWISE SPECIFIED:	APVD	T MICHELUTTI	19NOV08
0 PLC	± -	PRODUCT SPEC	NAME	
1 PLC	± -	APPLICATION SPEC	TE Connectivity	
2 PLC	± 0.20	WEIGHT	TERMINAL RING TONGUE, PLASTI-GRIP, WIRE SIZE 12:10	
3 PLC	± -	CUSTOMER DRAWING	SIZE	CAGE CODE
4 PLC	± -	SCALE	A3	00779
ANGLES	± 5°	SHEET	C=160293	DRAWING NO
MATERIAL	FINISH	REV	1	RESTRICTED TO
-	-	B1	1	-