

4

3

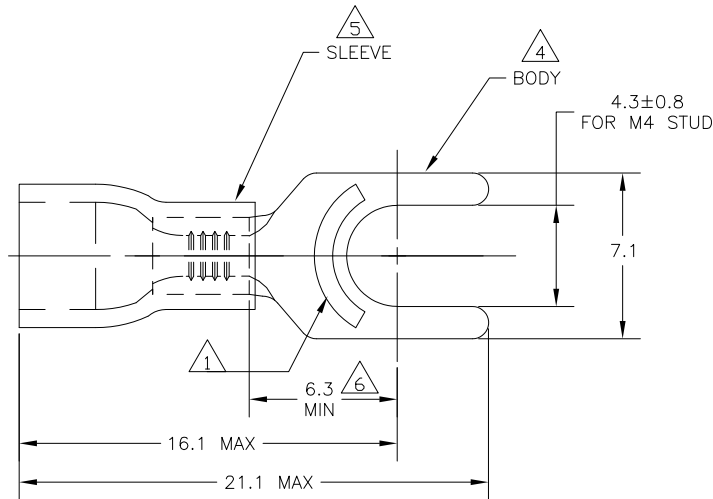
2

1

THIS DRAWING IS UNPUBLISHED. RELEASED FOR PUBLICATION
 © COPYRIGHT - By - ALL RIGHTS RESERVED.

LOC	DIST	REVISIONS			
P	LTR	DESCRIPTION	DATE	DWN	APVD
G	02	D1	REVISED PER ECO-11-004917	11MAR11	RK HMR

AMP WIRE RANGE	Listed
0.25-1.65 SOLID OR STRANDED	0.25-1.65 SOLID OR STRANDED



- 1 STAMP AMP 22-16* LOCATE APPROX AS SHOWN
- 2 FOR WIRE INSULATION DIA 2.7-3.6
- 3 TONGUE THK IS 0.8±0.07
- 4 BODY: COPPER PER ASTM B-152 TIN PLATED PER ASTM B-545
- 5 SLEEVE: PVC, RED
- 6 APPLIES FROM EDGE OF METAL WIRE BARREL TO CENTER OF STUD HOLE.

5,000	ON TAPE, REEL	2-165008-1
1,000	LOOSE PIECE	165008-0
QTY	PACKAGE TYPE	PART NO

THIS DRAWING IS A CONTROLLED DOCUMENT.		DWN	JR RUTH	27OCT03
DIMENSIONS: MM INCHES		CHK	T MICHELUTTI	27OCT03
TOLERANCES UNLESS OTHERWISE SPECIFIED:		APVD	T MICHELUTTI	27OCT03
0 PLC	± -	NAME		
1 PLC	± 0.2	TE Connectivity		
2 PLC	± -	PRODUCT SPEC		
3 PLC	± -	APPLICATION SPEC		
4 PLC	± -	SIZE		
ANGLES	± 1°	CAGE CODE		
MATERIAL	FINISH	DRAWING NO		
SEE NOTES	SEE NOTES	RESTRICTED TO		
		WEIGHT	A3 00779 C-165008	
		CUSTOMER DRAWING		SCALE 1:1 SHEET 1 OF 1 REV D1