

4

3

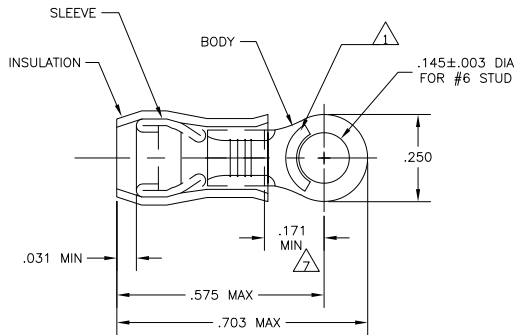
2

1

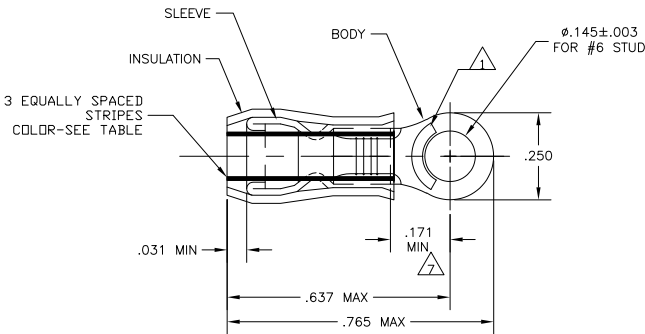
THIS DRAWING IS UNPUBLISHED. RELEASED FOR PUBLICATION. ALL RIGHTS RESERVED.

LOC	DIST	REV	DESCRIPTION	DATE	BY	APPD
G	14	N2	REVISED PER ECO-11-004587	11MAR11	RK	HMR

AMP WIRE RANGE	E13288 Listed	LR7189 Certified
16-14 AWG SOLID OR STRANDED	16-14 AWG SOLID OR STRANDED	16-14 AWG SOLID OR STRANDED



STYLE A



STYLE B
INSULATION RESTRICTING

- △ STAMP "AMP - SEE TABLE" APPROX AS SHOWN
- 2 WIRE INSULATION DIA: SEE TABLE
- 3 TONGUE MATERIAL THK: .031±.002
- △4 BODY: TIN PLATE .000100 MIN EXT THK PER ASTM B545
- △5 SLEEVE: TIN PLATE .000100 MIN EXT THK PER ASTM B545
- △6 BODY & SLEEVE - CU PER ASTM B152
INSULATION - NYLON PER ASTM D4066
COLOR - BLUE
- △7 APPLIES FROM EDGE OF METAL WIRE BARREL TO CENTER OF STUD HOLE.
- △8 MEETS MS25036-106, CLASS 1 & 2
- △9 MEETS MS25036-106, CLASS 2
- △10 MEETS M7928/1-39, CLASS 1 & 2
- △11 MEETS M7928/1-48, CLASS 1 & 2

QTY	PACKAGE TYPE	STAMPING	WIRE INSUL DIA	WIRE SIZE	STRIPES COLOR	STYLE	BODY FINISH	SLEEVE FINISH	PART NO
100	LOOSE PIECE	16	.063-.130	16	BLUE	B			9-320561-1
100	LOOSE PIECE, BOX	16-14	.105-.150	16-14	--	A			8-320561-1
500	320561-3 ON TAPE	16	.063-.130	16	BLUE	B			2-320561-5
500	LOOSE PIECE	14	.078-.130	14	GREEN	B			2-320561-4
500	LOOSE PIECE	16	.063-.130	16	BLUE	B			2-320561-3
5000	320561 ON TAPE	16-14	.105-.150	16-14	--	A			2-320561-2
500	LOOSE PIECE	16-14	.105-.150	16-14	--	A			320561

CUSTOMER SERVICE SYSTEMS	
FOR ADDITIONAL PRODUCT INFORMATION OR COPIES OF DRAWINGS AND TECHNICAL DOCUMENTS	PRODUCT INFORMATION CENTER 1-800-522-6752
FOR APPLICATION	TOOLING ASSISTANCE CENTER
TOOLING INFORMATION	1-800-722-1111
FOR ORDER ENTRY	1-800-526-5142

MAX RECOMMENDED OPERATING TEMPERATURE: 105°C MAX	VOLTAGE RATING: 300 VOLT MAX	CIRCULAR MIL AREA: 1.02-2.62mm ² (2,050-5,180) STRANDED OR SOLID
THIS DRAWING IS A CONTROLLED DOCUMENT.		
DIMENSIONS: INCHES		
OTHER DIMENSIONS: MILLIMETERS		
MATERIAL: SEE TABLE		
FINISH: SEE TABLE		

DESIGNED BY: J.R. RUTH	DATE: 13MAY10		TE Connectivity
CHK: T. MICHELJUTTI	DATE: 13MAY10		
APPD: T. MICHELJUTTI	DATE: 13MAY10	TERMINAL, RING TONGUE, PIDG	
PRODUCT SPEC: --	APPLICATION SPEC: --	SIZE: A2	WIRE SIZE: 16-14 AWG
HEIGHT: --	REVISION: --	CAGE CODE: 00779	RESTRICTED TO: --
CUSTOMER DRAWING		SCALE: 5:1	SHEET: 1 of 1