

4

3

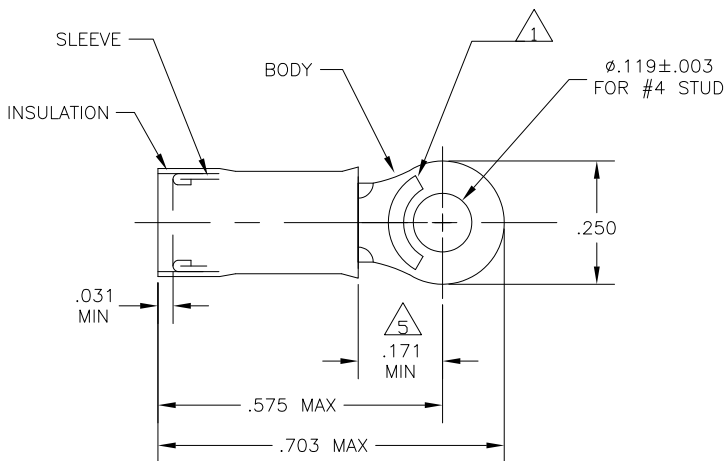
2

1

THIS DRAWING IS UNPUBLISHED. RELEASED FOR PUBLICATION  
 © COPYRIGHT - By - ALL RIGHTS RESERVED.

LOC	DIST	REVISIONS			
P	LTR	DESCRIPTION	DATE	DWN	APVD
	D2	REVISED PER ECO-11-004820	11MAR11	RK	HMR

<b>AMP</b> WIRE RANGE	E13288 Listed	LR7189 Certified
16-14 AWG SOLID OR STRANDED	16-14 AWG SOLID OR STRANDED	16-14 AWG SOLID OR STRANDED



- △1 STAMP AMP 16-14\* APPROX AS SHOWN  
 2 WIRE INSULATION DIA: .105-.150  
 3 TONGUE MATERIAL THK: .031±.002  
 △4 BODY & SLEEVE: CU PER ASTM B152  
 BODY & SLEEVE: TIN PLATE .000100 MIN  
 EXT THK PER ASTM B545  
 INSULATION: NYLON PER ASTM D4066  
 COLOR - BLUE  
 △5 APPLIES FROM EDGE OF METAL WIRE BARREL  
 TO CENTER OF STUD HOLE.  
 △6 MEETS MS25036-152, CLASS 1 & 2

100	LOOSE PIECE, BOX	△4	8-324159-1
2500	324159 ON TAPE & REEL	△4	2-324159-2
---	LOOSE PIECE	△4 △6	324159
QTY	PACKAGE TYPE	MATERIAL FINISH	PART NO

## CUSTOMER SERVICE SYSTEMS

FOR ADDITIONAL  
PRODUCT INFORMATION OR  
COPIES OF DRAWINGS  
AND TECHNICAL DOCUMENTS

PRODUCT INFORMATION CENTER  
1-800-522-6752

FOR APPLICATION  
TOOLING INFORMATION

TOOLING ASSISTANCE CENTER  
1-800-722-1111

FOR ORDER ENTRY  
1-800-526-5142

THIS DRAWING IS A CONTROLLED DOCUMENT FOR  
AMP INCORPORATED. IT IS SUBJECT TO CHANGE  
AND THE CONTROLLING ENGINEERING ORGANIZATION  
SHOULD BE CONTACTED FOR THE LATEST REVISION.

MAX RECOMMENDED OPERATING  
TEMPERATURE:  
170°C MAX

VOLTAGE RATING:  
300 V MAX

CIRCULAR MIL AREA:  
1.04-2.62mm<sup>2</sup>[2,050-5,180]  
STRANDED OR SOLID

THIS DRAWING IS A CONTROLLED DOCUMENT.

DIMENSIONS:

INCHES



MATERIAL

SEE TABLE

TOLERANCES UNLESS  
OTHERWISE SPECIFIED:

0 PLC ± -  
1 PLC ± -  
2 PLC ± -  
3 PLC ± .008  
4 PLC ± -  
ANGLES ± -

FINISH

SEE TABLE

DWN 13JAN10

JR RUTH

CHK 13JAN10

T MICHELUTTI

APVD 13JAN10

T MICHELUTTI

PRODUCT SPEC

APPLICATION SPEC

WEIGHT

CUSTOMER DRAWING



TE Connectivity

NAME

TERMINAL, RING TONGUE,  
PIDG

WIRE SIZE: 16-14 AWG

SIZE

CAGE CODE

DRAWING NO

RESTRICTED TO

A3

00779

C-324159

SCALE

5:1

SHEET

1 OF 1

REV

D2