

4

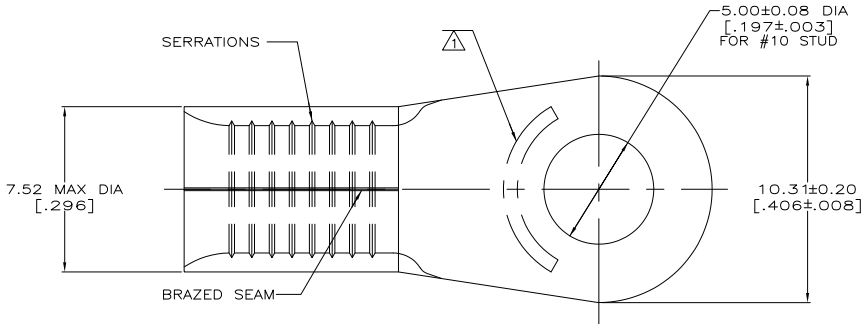
3

2

1

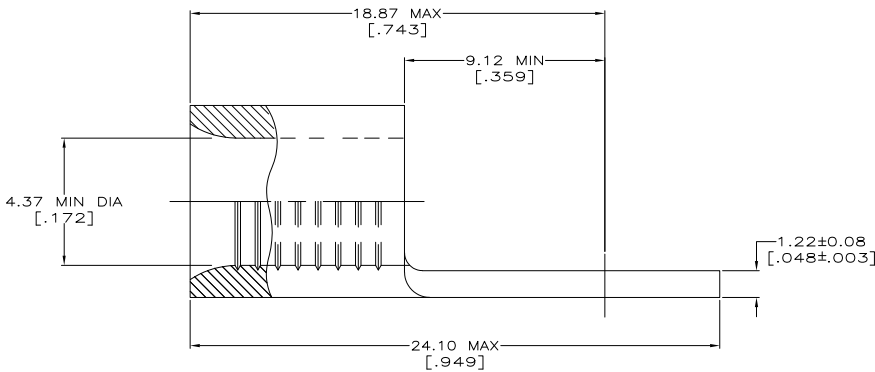
THIS DRAWING IS UNPUBLISHED. RELEASED FOR PUBLICATION. ALL RIGHTS RESERVED.

LOC	DIST	REVISIONS		
P	LTR	DESCRIPTION	DATE	BY
G	14	J3 REVISED PER ECO-11-004587	11MAR11	RK HMR



<b>AMP</b> WIRE RANGE	Listed FILE E13288	LR7189 Certified
8 AWG SOLID OR STRANDED	8 AWG STRANDED	8 AWG SOLID OR STRANDED

- △ STAMP AMP 8\* APPROX AS SHOWN
- △ COPPER PER ASTM B-152, ANNEALED
- △ 0.00254 [.000100] MIN TIN PLATE PER ASTM B-545
- 4 LONGER WIRE BARREL THAN OTHER #8 AWG, PROPER WIRE STRIP LENGTH: 9.12-9.94 [.359-.390]; IGNORE TOOLING INSTRUCTION SHEET STRIP LENGTH
- △ MEETS MS20659-107, CLASS 2



1000	LOOSE PIECE, BOX	2-31807-3
1000	ON TAPE	△ 2-31807-2
----	LOOSE PIECE	△ 31807
QTY	PACKAGING TYPE	PART NO.

AMP INCORPORATED CUSTOMER SERVICE SYSTEMS	
FOR ADDITIONAL PRODUCT INFORMATION OR COPIES OF DRAWINGS AND TECHNICAL DOCUMENTS	PRODUCT INFORMATION CENTER 1-800-522-6752
FOR APPLICATION	TOOLING ASSISTANCE CENTER 1-800-722-1111
FOR ORDER ENTRY	1-800-526-5142

MAX RECOMMENDED OPERATING TEMPERATURE: 170°C MAX	VOLTAGE RATING: N/A	CIRCULAR MIL AREA: 6.64-10.5mm² [13,100-20,800] SOLID OR STRANDED
---	------------------------	---

THIS DRAWING IS A CONTROLLED DOCUMENT.	
DIMENSIONS: MM (INCHES)	TOLERANCES UNLESS OTHERWISE SPECIFIED:
0 PLG ± .	1 PLG ± .
2 PLG ± .	3 PLG ± .
4 PLG ± .	ANGLES ± .
MATERIAL	FINISH

DR: TA BRINKMAN 3-24-93	OK: DA PATTERSON 3-24-93	NAME: JUL MECKLEY 3-24-93	TE Connectivity
APPLICATION SPEC: PRODUCT SPEC: HEIGHT: CUSTOMER DRAWING			TERMINAL, RING TONGUE, SOLISTRAND
SIZE: A2	CAGE CODE: 00779	DRAWING NO: C=31807	RESTRICTED TO: -
SCALE: 8:1			SHEET: 1 of 1
			REV: J3

1471-9 (3/11)

31807

A