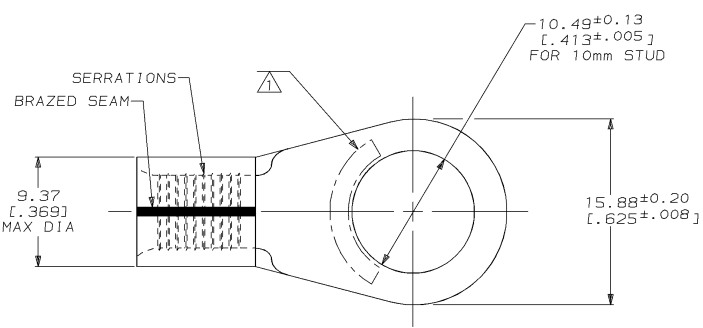


THIS DRAWING IS UNPUBLISHED. RELEASED FOR PUBLICATION .19  
 © COPYRIGHT 19 BY AMP INCORPORATED. ALL INTERNATIONAL RIGHTS RESERVED.

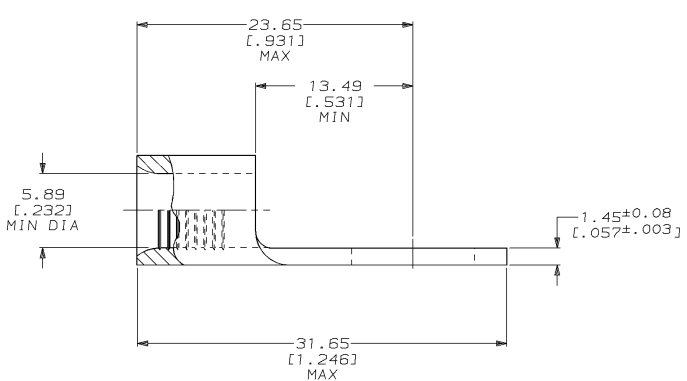
LOC	DIST	P	F	ZONE	LTR	REVISIONS	DATE	APPR
6	14				0	RELEASED PER PR 94-116	01NOV94	ASJK

**METRIC**  
 DIMENSIONS LISTED IN mm [ INCHES ]



<b>AMP</b> WIRE RANGE	<b>UL</b> E13288 Listed
6 AWG SOLID OR STRANDED	6 AWG STRANDED
<b>CS</b> LR7189 Certified	MILITARY P/N AND CLASS
6 AWG SOLID OR STRANDED	NOT APPLICABLE

△ STAMP AMP 6\* APPROX AS SHOWN



**AMP INCORPORATED**  
**CUSTOMER SERVICE SYSTEMS**

MAX RECOMMENDED OPERATING TEMPERATURE:  
 170°C MAX

DO NOT SCALE PRINT.  
 UNLESS SPECIFIED  
 DIMENSIONS IN mm [INCHES]  
 TOLERANCES ON:  
 2 PLC DEC # -  
 3 PLC DEC # -  
 ANGLES ± -

DR 01NOV94  
 DK SCHRUM  
 CHK 08NOV94  
 DA PATTERSON  
 APPD 08NOV94  
 CH KULYNYCH

**AMP** AMP Incorporated  
 Harrisburg, PA 17105-3608

FOR ADDITIONAL PRODUCT INFORMATION OR COPIES OF DRAWINGS AND TECHNICAL DOCUMENTS

PRODUCT INFORMATION CENTER  
 1-800-522-6752

VOLTAGE RATING:  
 NOT APPLICABLE

MATERIAL  
 COPPER PER  
 ASTM B-152  
 ANNEALED

APPD 08NOV94  
 JL MECKLEY  
 PRODUCT SPEC

NAME  
**TERMINAL, RING TONGUE, SOLISTRAND™**

FOR APPLICATION TOOLING INFORMATION

TOOLING ASSISTANCE CENTER  
 1-800-722-1111

WIRE CROSS SECTIONAL AREA RANGE:  
 10.5-16.8mm<sup>2</sup> [20,800-33,100] CIR MILS  
 SOLID OR STRANDED

FINISH  
 TIN PLATE  
 0.00254 [0.000100] MIN  
 THK PER MIL-T-10727

APPLICATION SPEC  
 -

SIZE  
 CAGE CODE  
 00779

DRAWING NO  
 C=184066

FOR ORDER ENTRY

1-800-526-5142

THIS DRAWING IS A CONTROLLED DOCUMENT FOR AMP INCORPORATED. IT IS SUBJECT TO CHANGE AND THE CONTROLLING ENGINEERING ORGANIZATION SHOULD BE CONTACTED FOR THE LATEST REVISION.

WEIGHT  
 -

SCALE  
 4:1

SHEET 1 OF 1