

3

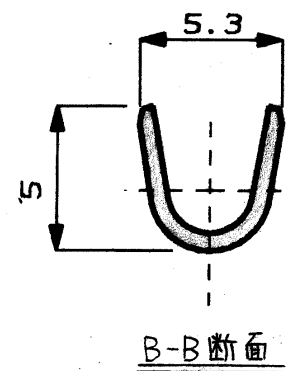
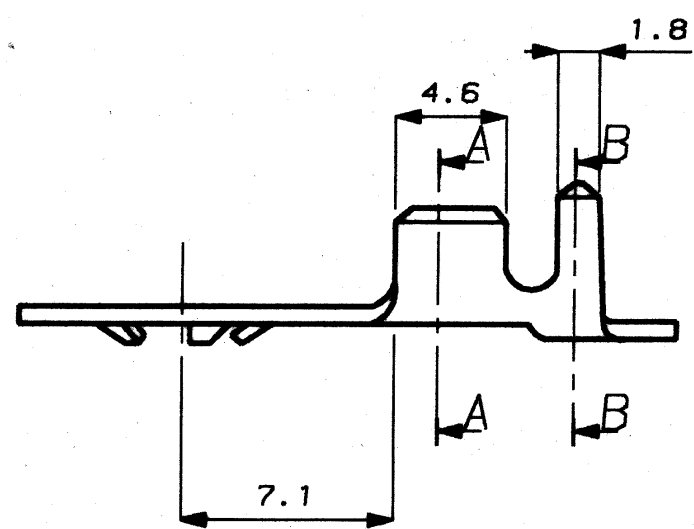
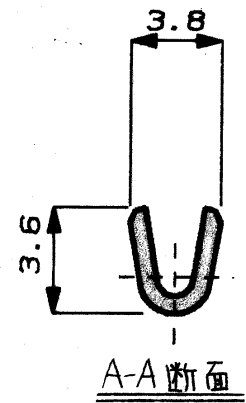
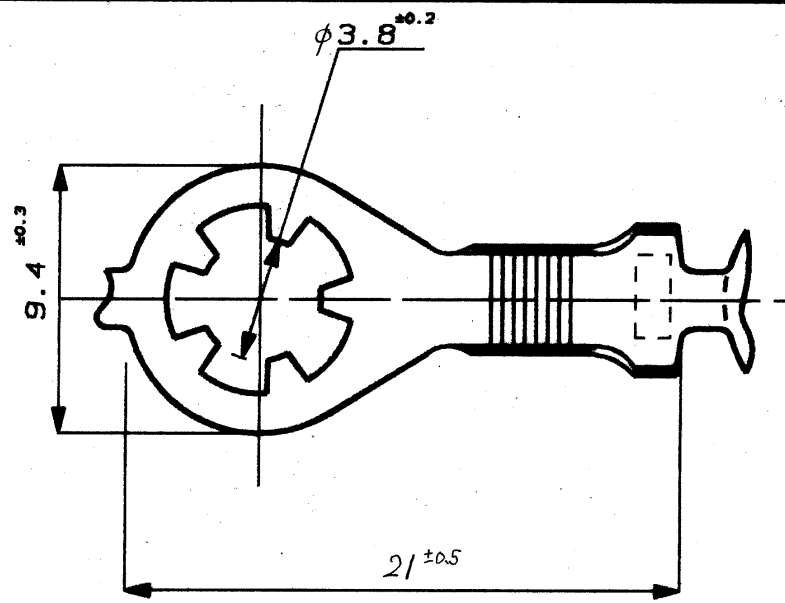
2

1

NUMBER C-173637

3-D ANGLE PROJECTION

METRIC



DIMENSIONS IN MILLIMETERS. DO NOT SCALE PRINT

© 1985 BY AMP (Japan) LTD.  
ALL RIGHTS RESERVED.  
AMP PRODUCTS COVERED BY PATENTS  
AND OR PATENTS PENDING

**AMP**  
AMP (JAPAN), LTD.  
Tokyo, Japan

一般公差 ±0.4	把合電線断面径 AWG #18-#14	被覆外径 φ2.67-φ3.68
	材料 冷間圧延鋼	仕上げ 錫めっき

PRINT DIST	0 RELEASED J04-7827	DR	CHK	DATE	SCALE	SIZE	LOC	NUMBER	REV.	SHEET
	LTR	REVISION RECORD	DR	CHK	DATE	4-1	A4	J	0	1-1
	DR. H. Betani 4/12/85	DE. H. Betani 4/12/85	NAME	RING TERMINAL						
CHK. M. Iouchi 4/12/85	APP. M. Iouchi 4/12/85	CUSTOMER DRAWING								

AMP-J  
REV. 10/88