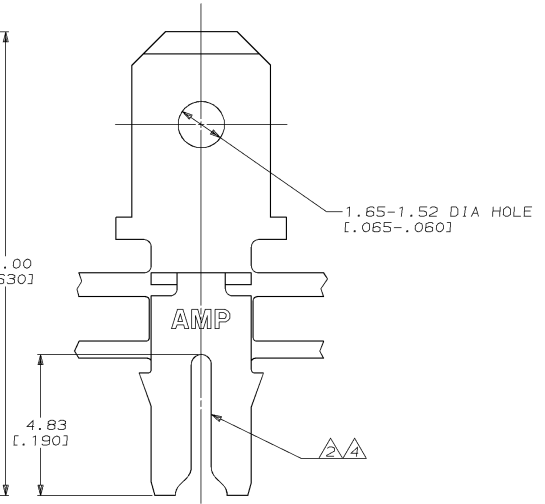
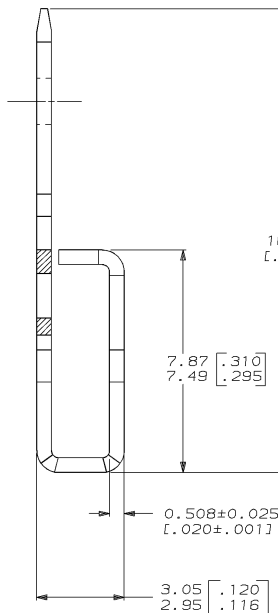
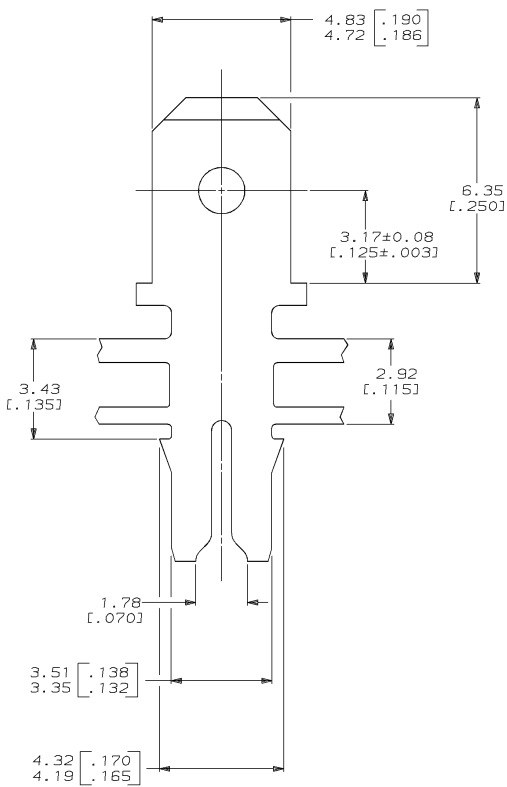
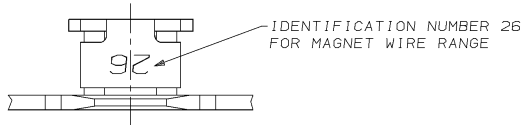


THIS DRAWING IS UNPUBLISHED. RELEASED FOR PUBLICATION .19  
 © COPYRIGHT 19 BY AMP INCORPORATED. ALL INTERNATIONAL RIGHTS RESERVED.

LOC	DIST	P	F	ZONE	LTR	REVISIONS	DATE	APPD	
AF	50					B	REV LENGTH PER 0710-0034-95	03/FEB/95	MF/NN

- 1 CONTINUOUS STRIP ON REELS WITH TERMINALS LOCATED ON  $8.38 \pm 0.08$  [.330 ± .003] CENTERS.
- 2 SLOT TERMINATES A SINGLE  $0.81-1.02\text{mm}$  [#20-#18] AWG BARE SOLID COPPER WIRE.
- 3 AFTER INSERTION INTO PLASTIC HOLDER TAB PORTION MUST BE BENT OVER  $45^\circ$  TO  $90^\circ$  OR POTTED-IN TO PREVENT PULL-OUT WHEN MATING RECEPTACLE IS DISCONNECTED.
- 4 SLOT ALSO TERMINATES A SINGLE  $0.81\text{mm}$  [#20] AWG OR A  $0.81$  [.032] DIA COPPER CLAD STEEL WIRE PER ASTM B452-67 CLASS 40 A.



THIS DRAWING IS A CONTROLLED DOCUMENT FOR AMP INCORPORATED. IT IS SUBJECT TO CHANGE AND THE CONTROLLING ENGINEERING ORGANIZATION SHOULD BE CONTACTED FOR THE LATEST REVISION.

DO NOT SCALE PRINT. UNLESS SPECIFIED DIMENSIONS IN mm [INCHES] TOLERANCES ON + 2 PLC DEC ± 0.25 (.010) 3 PLC DEC ± ANGLES ± -		DR 9/4/92 MICHAEL S. FEHER	63670-1 PART NO	
MATERIAL H03 BRASS	CHK 9/7/92 JEFF R. RUTH	APPD 9/15/92 NELSON E. NEFF	AMP AMP Incorporated Harrisburg, PA 17105-3608	
FINISH 0.002032 [.000080] MIN TIN PER MIL-T-10727	APPD 9/15/92 TERRY L. SHUTTER	PRODUCT SPEC 108-2012	NAME TERMINAL, TAB, 4.75 [.187] FASTON, MAG-MATE	
APPLICATION SPEC 114-2046	SIZE C	CAGE CODE 00779	DRAWING NO C-63670	
WEIGHT -	SCALE 10:1	SHEET 1 OF 1		

AMP 1471-6 REV 3-92  
 03-FEB-95 10:25:47 amp02644 //files/dept2127/dwa2127/u.nag-mate/u.300

CUSTOMER DRAWING