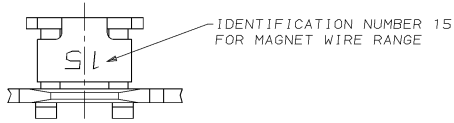


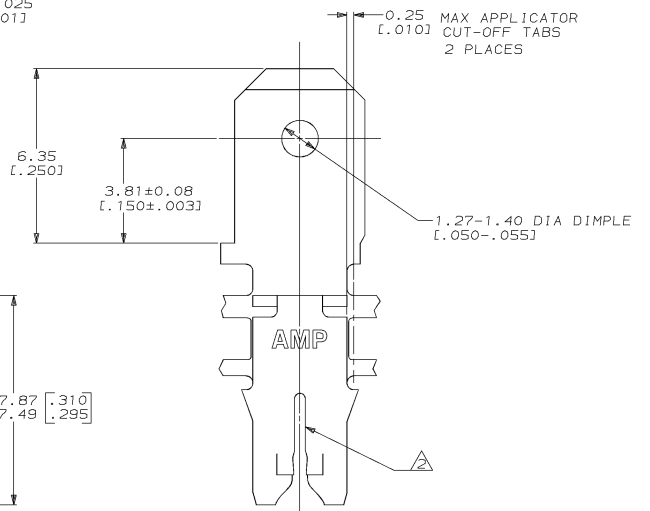
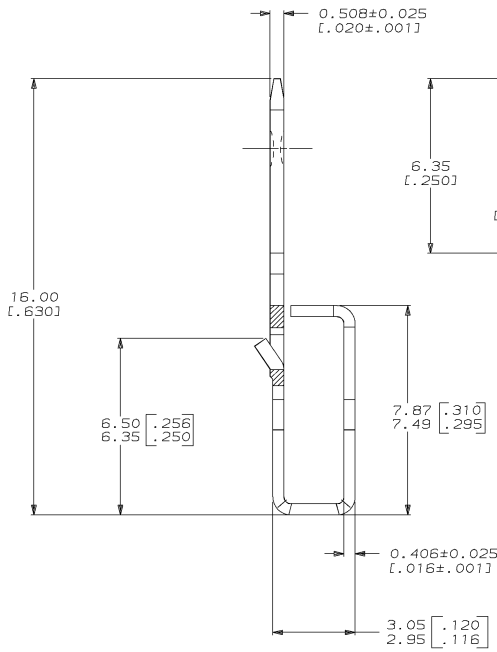
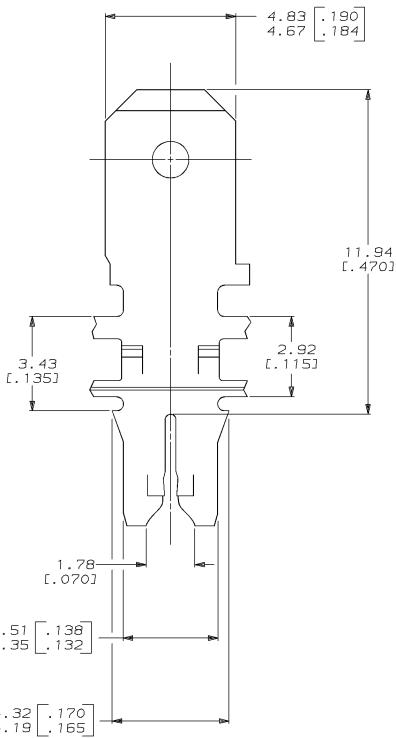
4 3 2 1

THIS DRAWING IS UNPUBLISHED. RELEASED FOR PUBLICATION BY AMP INCORPORATED. ALL RIGHTS RESERVED.

LOC		DIST		REVISIONS			
F	LTR	DESCRIPTION	DATE	BY	APP'D		
B		REDRAWN AND UPDATED 0710-0302-96	26.JUL.96	MF	NN		



1 CONTINUOUS STRIP ON REELS WITH TERMINALS LOCATED ON 5.59±0.08 [±.220±.003] CENTERS. SLOT TERMINATES A SINGLE MAGNET WIRE ONLY. COPPER RANGE: 0.57-0.81mm [#23-#20] AWG.



63340-1  
PART NUMBER

THIS DRAWING IS A CONTROLLED DOCUMENT.		DWG: MICHAEL S. FENNER 26.JUL.96 CHK: RICHARD GRZYBOWSKI 26.JUL.96 APP'D: NELSON E. NEFF 26.JUL.96	<b>AMP</b> AMP Incorporated Harrisburg, PA 17105-3608
DIMENSIONS: mm (INCHES) TOLERANCES UNLESS OTHERWISE SPECIFIED: Ø PLG ±.010 Ø PLG ±.015 Ø PLG ±.025(±.010) Ø PLG ±.030 H. PLG ±.010 ANGLES ±.010	PRODUCT SPEC: 108-2012 APPLICATION SPEC: 114-2067 MATERIAL: 4M PRE-MILLED BRASS FINISH: 0.002032 [±.000083] MIN TIN PER MIL-T-16227	NAME: RICHARD GRZYBOWSKI NAME: NELSON E. NEFF SIZE: A2 CASE CODE: 00779 DRAWING NO: 63340	TERMINAL TAB, 4.75 [±.187] FASTON™, MAG-MATE™ SCALE: 10:1 SHEET: 1 OF 1 REV: B

63340

A