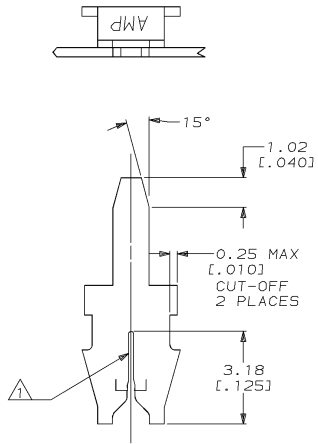
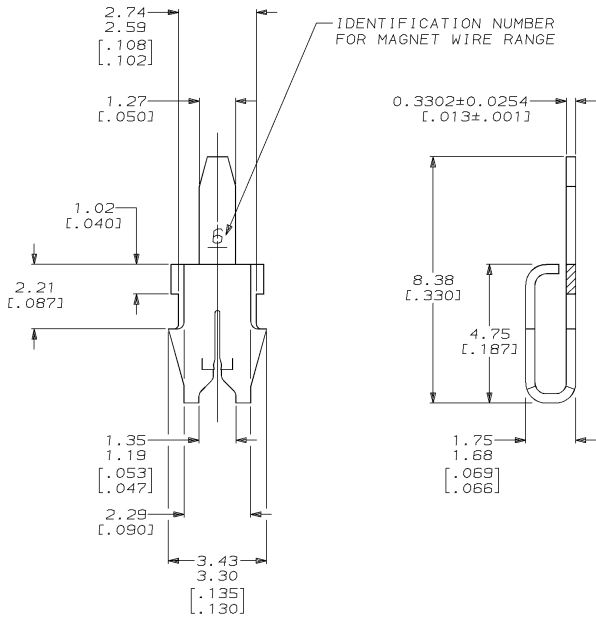


DRAWING MADE IN THIRD ANGLE PROJECTION
 THIS DRAWING IS UNPUBLISHED. RELEASED FOR PUBLICATION, 19
 © COPYRIGHT 19 BY AMP INCORPORATED. ALL INTERNATIONAL RIGHTS RESERVED.

LOC		DIST		ZONE		LTR		REVISIONS		DATE	APPD
AF	50	P	F					D	REV PER 0710-0196-96	18JUN96	RG/NN

- ⚠ SLOTTED ACCEPTS 0.25-0.32mm [#30-#28] AWG COPPER MAGNET WIRE.
- ⚠ 0.002032[.000080] MIN TIN PER MIL-T-10727 OVER 0.00127[.000050] MIN NICKEL PER QQ-N-290



		62874-1		PART NO	
DO NOT SCALE PRINT. UNLESS SPECIFIED DIMENSIONS IN mm [INCHES] TOLERANCES ON : 2 PLC DEC ± 0.25 (.010) 3 PLC DEC ± ANGLES ± -		DR 25/MAY/84 R.R. BUCHHEISTER CHK 26/MAY/84 M.S. FEHER APPD 06/JUN/84 A. HUNT III		AMP AMP Incorporated Harrisburg, PA 17105-3608	
MATERIAL H04 BRASS		APPD 06/JUN/84 T.L. SHUTTER PRODUCT SPEC		NAME TERMINAL, POSTED, LOOSE PIECE, MAG-MATE™	
FINISH ⚠		APPLICATION SPEC 114-2069		SIZE C 00779	DRAWING NO C-62874
WEIGHT -		SCALE 10:1		SHEET 1 OF 1	

THIS DRAWING IS A CONTROLLED DOCUMENT FOR AMP INCORPORATED. IT IS SUBJECT TO CHANGE AND THE CONTROLLING ENGINEERING ORGANIZATION SHOULD BE CONTACTED FOR THE LATEST REVISION.

CUSTOMER DRAWING