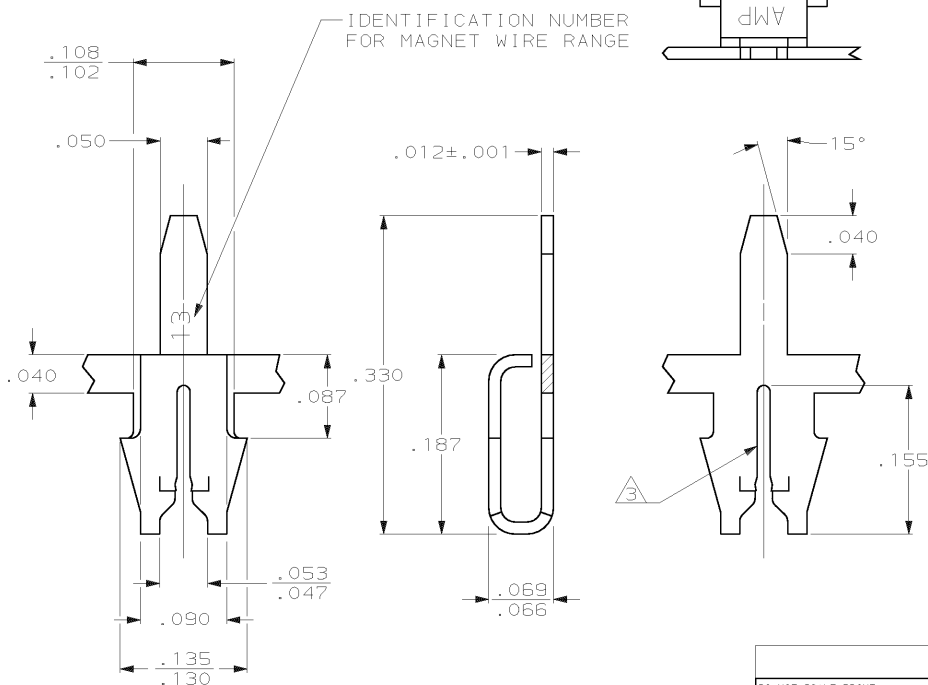


DRAWING MADE IN THIRD ANGLE PROJECTION

THIS DRAWING IS UNPUBLISHED. RELEASED FOR PUBLICATION, 19
 © COPYRIGHT 19 BY AMP INCORPORATED. ALL INTERNATIONAL RIGHTS RESERVED.

LOC	DIST	REVISIONS				
P	F	ZONE	LTR	DESCRIPTION	DATE	APPD
AF	50		L	REV NOTE 5 REACT -2 PER OG1A-0079-99	22MAR99	MF/PD



- ① MAG-MATE CAVITY SPECIFICATION.
- ② CONTINUOUS STRIP ON REELS WITH TERMINALS LOCATED ON .200 CENTERS.
- ③ SLOT ACCEPTS #24-#22 AWG COPPER MAGNET WIRE.
- ④ .000080 MIN TIN PLATE.
- ⑤ .000080 MIN TIN PLATE OVER .000050 MIN NICKEL UNDERPLATE.
- ⑥ REELED FOR APPLICATION THROUGH MAG-MATE INSERTION MACHINE
- ⑦ REELED FOR INSERTION INTO PRINTED CIRCUIT BOARD

⑦	④	62439-3
⑥	⑤	62439-2
③	④	62439-1
REELING	FINISH	PART NO

DO NOT SCALE PRINT. UNLESS SPECIFIED DIMENSIONS IN INCHES TOLERANCES ON: 2. PLC DEC ± 3. PLC DEC ± .010 ANGLES ± -	DR 11/21/88 M.S. FEYER	AMP INCORPORATED Harrisburg, Pa. 17105
	CHK 11/27/88 JR RUTH	
MATERIAL #4 HARD BRASS	APPD 11/28/88 NELSON E. NEFF	NAME TERMINAL, POSTED, MAG-MATE™
FINISH SEE TABLE	PRODUCT SPEC -	SIZE B
	APPLICATION SPEC 114-2069 ①	FSCM NO 00779
	WEIGHT -	DRAWING NO 62439
		SCALE 10:1
		SHEET 1 OF 1

AMP 1470-15 REV 3-87
 22-MAR-99 15:12:24 amp02644 /home/amp02644/edimmod

CUSTOMER DRAWING