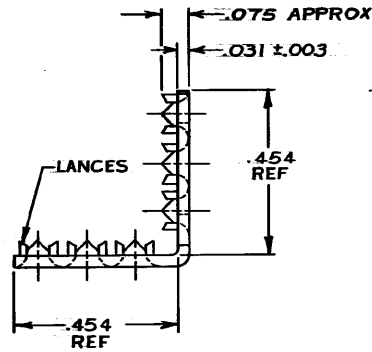
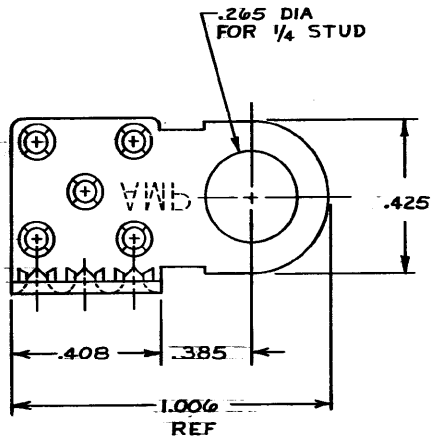


DRAWING MADE IN THIRD ANGLE PROJECTION

© COPYRIGHT 1980 BY AMP INCORPORATED, HARRISBURG, PA.
ALL INTERNATIONAL RIGHTS RESERVED. AMP INCORPORATED PRODUCTS
COVERED BY U. S. AND FOREIGN PATENTS AND/OR PATENTS PENDING.

REVISIONS						
P	F	ZONE	LTR	DESCRIPTION	DATE	APPROVED
✓	✓		O	REL P80-20013	2/11/80	[Signature]
✓	✓		A	REV U-1456	6/27/80	[Signature]
✓	✓		B	REV U-1509	9/19/80	[Signature]
✓	✓		C	REV PER G-5581	11/6/80	DKS/AJK



AS SHOWN 276959-2
REMARKS PART NO

UNLESS OTHERWISE SPECIFIED DIMENSIONS ARE IN INCHES. TOLERANCES ON DECIMALS: .008 ANGLES ± 5°	CONTRACT NO	AMP INCORPORATED Harrisburg, Pa.	
	DR <i>P. M. G. 3/10/80</i>	NAME	
	CHK <i>George P. ... 4-17-80</i>	TERMI-FOIL TAP	
	APPD <i>John D. ... 8/10/80</i>	SIZE B	CODE IDENT NO 00779
MATERIAL COPPER-ANNEALED (QQ-C-576)	DSCH APPD <i>...</i>	SCALE 4:1	SHEET
FINISH TIN PLATE (MIL-T-10727)	OTHER APPD <i>RE Dowd 4/18/80</i>		

CUSTOMER DRAWING