

DRAWING MADE IN THIRD ANGLE PROJECTION

3

2

1

Loc 86

REVISIONS						
P	F	ZONE	LTR	DESCRIPTION	DATE	APPROVED
✓	✓		G1	REVISED PER ECO-11-005294	11APR11	HMR

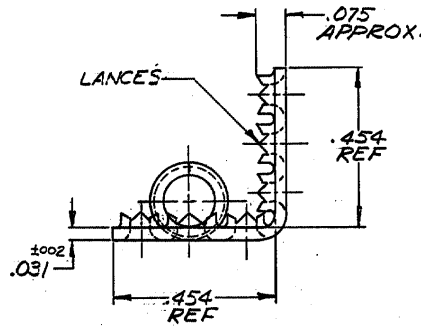
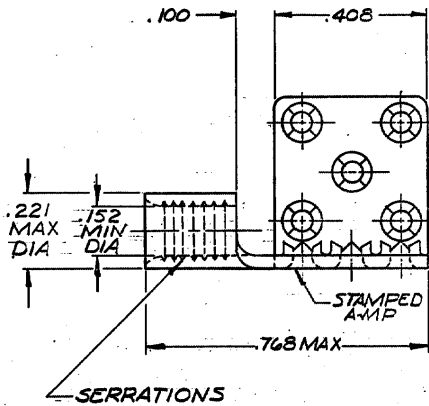


TABLE I

COPPER (QQ-C-576) ANNEALED FINISH: SEE TABLE II	2-329254-4 329254
MATERIAL & FINISH	PART NO

TABLE II

2-329254-4	TIN PL (MIL-T-10727)
329254	BRIGHT NICKEL PL (QQ-N-290).0002MIN EXT. THK
PART NO.	FINISH

UNLESS OTHERWISE SPECIFIED DIMENSIONS ARE IN INCHES. TOLERANCES ON: DECIMALS ±.008 ANGLES ± 5°	CONTRACT NO	10-26-73	
	DR	DR	
	CHK	CHK	
	APPD	APPD	
MATERIAL	NAME	SIZE	CODE IDENT NO
SEE TABLE I	WIRE TERMINAL	B	00779
FINISH	TERMI-FOIL-SOLISTRAND-DOUBLE FACE	NUMBER	329254
SEE TABLE I	WIRE SIZE 12-10	OTHER APPD	SCALE 4:1
			SHEET 1 OF 1

CUSTOMER DRAWING