

4

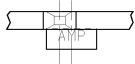
3

2

1

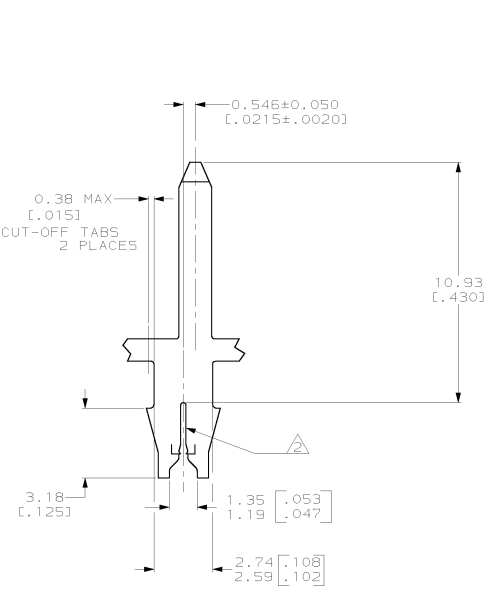
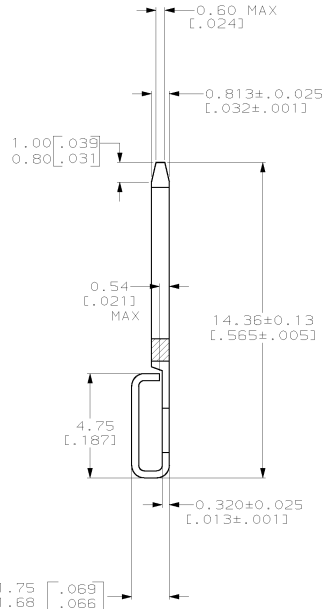
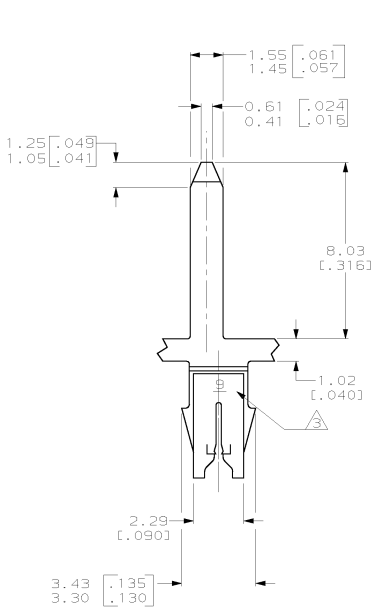
THIS DRAWING IS UNPUBLISHED.
 RELEASED FOR PUBLICATION
 BY AMP INCORPORATED. ALL RIGHTS RESERVED.

LOC	DIST	REVISIONS			
		DESCRIPTION	DATE	BY	APPD
AF	50				
		B	REVISED PER DG3A-0171-02	11APR02	MF KR



1 CONTINUOUS STRIP ON REELS WITH TERMINALS LOCATED ON 5.08±0.08 [.200±.003] CENTERS.

- ⚠ SLOTTED ACCEPTS 0.36-0.45mm [#27-#25] AWG COPPER MAGNET WIRE
- ⚠ IDENTIFICATION NUMBER 9 FOR WIRE SLOT SIZE.
- ⚠ 0.002032 [.000080] MIN TIN PLATE OVER 0.00254 [.000100] MIN COPPER UNDERPLATE.



1217642-1
PART NUMBER

THIS DRAWING IS A CONTROLLED DOCUMENT.		DWG: MICHAEL S. FEJERS 10/4/2001		AMP Incorporated Harrisburg, PA 17105-3608			
CHK: KURT A. RANDOLPH 10/4/2001		APPD: KURT A. RANDOLPH 10/4/2001		NAME: TAB, 1.50 [.059] SERIES, LEFT HAND, 187 SERIES MAG-MATE™			
DIMENSIONS: mm (INCHES)		TOLERANCES UNLESS SPECIFIED:		APPL: 108-2012			
Ø .010		FRACTIONS: 1/16, 1/32, 1/64		PRODUCT SPEC: 114-2069			
HOLE: .010		DECIMALS: .001, .002, .005, .010, .015, .020, .025, .030, .035, .040, .045, .050, .055, .060, .065, .070, .075, .080, .085, .090, .095, .100, .105, .110, .115, .120, .125, .130, .135, .140, .145, .150, .155, .160, .165, .170, .175, .180, .185, .190, .195, .200, .205, .210, .215, .220, .225, .230, .235, .240, .245, .250, .255, .260, .265, .270, .275, .280, .285, .290, .295, .300, .305, .310, .315, .320, .325, .330, .335, .340, .345, .350, .355, .360, .365, .370, .375, .380, .385, .390, .395, .400, .405, .410, .415, .420, .425, .430, .435, .440, .445, .450, .455, .460, .465, .470, .475, .480, .485, .490, .495, .500, .505, .510, .515, .520, .525, .530, .535, .540, .545, .550, .555, .560, .565, .570, .575, .580, .585, .590, .595, .600, .605, .610, .615, .620, .625, .630, .635, .640, .645, .650, .655, .660, .665, .670, .675, .680, .685, .690, .695, .700, .705, .710, .715, .720, .725, .730, .735, .740, .745, .750, .755, .760, .765, .770, .775, .780, .785, .790, .795, .800, .805, .810, .815, .820, .825, .830, .835, .840, .845, .850, .855, .860, .865, .870, .875, .880, .885, .890, .895, .900, .905, .910, .915, .920, .925, .930, .935, .940, .945, .950, .955, .960, .965, .970, .975, .980, .985, .990, .995, 1.000		MATERIAL: #04 PRE-MILLED BRASS		SCALE: 8:1	
FINISH: ⚠		CUSTOMER DRAWING		SHEET 1 OF 1			

1217642

A