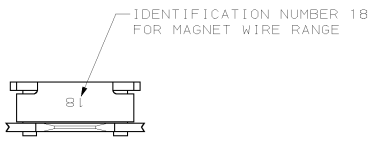


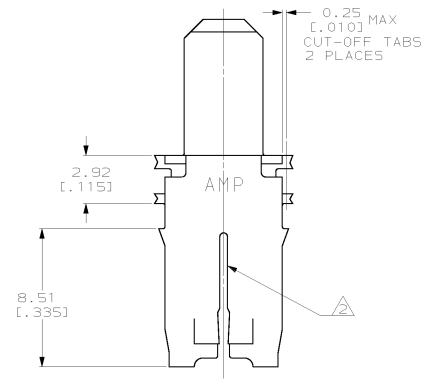
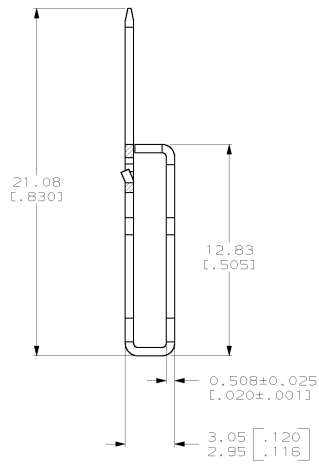
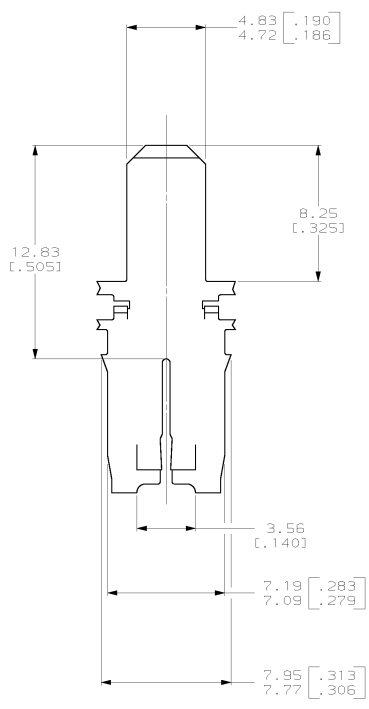
4 3 2 1

THIS DRAWING IS UNPUBLISHED.  
 RELEASED FOR PUBLICATION  
 BY AMP INCORPORATED. ALL RIGHTS RESERVED.

LOC	DIST	REVISIONS			
		DESCRIPTION	DATE	ENR	APPD
AF	50				
		F LTR			
		C REL PER 063A-0212-02	15MAY02	JR	KR



- 1 CONTINUOUS STRIP ON REELS WITH TERMINALS LOCATED ON  $8.38 \pm 0.08$  [.330 ± .003] CENTERS.
- △ SLOT ACCEPTS  $0.64 - 0.81$ mm [#22-#20] AWG COPPER MAGNET WIRE. 2 WIRES OF THE SAME SIZE MAX PER SLOT.
- △ VARNISH RESIST OVER  $0.00127$  [.000050] MIN NICKEL PLATE.
- △ REVERSE REELED.



1217491-1  
PART NUMBER

THIS DRAWING IS A CONTROLLED DOCUMENT.		DW: MICHAEL S. FEHNER 01SEP2000		AMP		AMP Incorporated Harrisburg, PA 17105-3608	
DIMENSIONS: mm (INCHES)		CHK: KURT A. RANDOLPH 21SEP2000		NAME: TERMINAL, TAB, 4.75 (.187) SERIES, 500 SERIES MAG-MATE™		RESTRICTED TO: -	
TOLERANCES UNLESS OTHERWISE SPECIFIED:		APPD: KURT A. RANDOLPH 21SEP2000		PRODUCT SPEC: 108-2012		SCALE: 6:1	
Ø .010		HOLE .010		APPLICATION SPEC: 114-2066		SHEET: 1 OF 1	
HOLE .25(.010)		HOLE .010		MATERIAL: 4M BRASS		REV: C	
HOLE .010		HOLE .010		FINISH: -		CAGE CODE (DRAWING NO): A200779	
HOLE .010		HOLE .010		CUSTOMER DRAWING		PART NUMBER: 1217491	
HOLE .010		HOLE .010		MATERIAL: 4M BRASS		SCALE: 6:1	
HOLE .010		HOLE .010		FINISH: -		SHEET: 1 OF 1	
HOLE .010		HOLE .010		CUSTOMER DRAWING		REV: C	