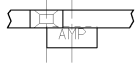
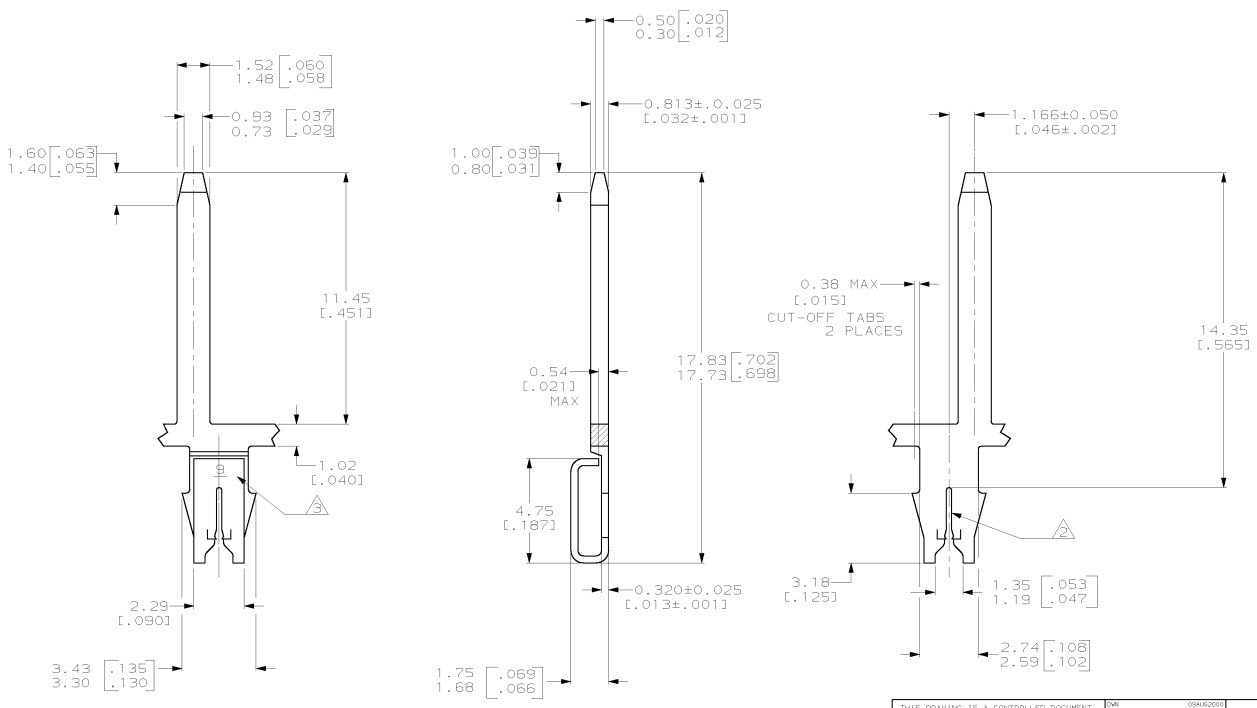


THIS DRAWING IS UNPUBLISHED. RELEASED FOR PUBLICATION
 (C) COPYRIGHT IS BY AMP INCORPORATED. ALL RIGHTS RESERVED.

REV	DATE	BY	APP'D	DESCRIPTION
1	13 JUN 01	JR	KR	REL PER 063A-0316-01



- 1 CONTINUOUS STRIP ON REELS WITH TERMINALS LOCATED ON 5.08±0.08 [.200±.003] CENTERS.
- △ SLOT ACCEPTS 0.36-0.45mm [#27-#25] AWG COPPER MAGNET WIRE
- △ IDENTIFICATION NUMBER 9 FOR WIRE SLOT SIZE.
- △ 0.002032 [.000080] MIN TIN PLATE OVER 0.00254 [.000100] MIN COPPER UNDERPLATE.



1217460-1
PART NUMBER

THIS DRAWING IS A CONTROLLED DOCUMENT.		DATE: 06/02/00	BY: MICHAEL S. FEJER	AMP Incorporated Harrisburg, PA 17105-3608
DRAWN BY: FURT A. RANDOLPH		DATE: 06/02/00	BY: FURT A. RANDOLPH	AMP TAB, 1.50 [.059] SERIES, LEFT HAND, 187 SERIES MAG-MATE™
CHECKED BY: FURT A. RANDOLPH		DATE: 06/02/00	BY: FURT A. RANDOLPH	
DIMENSIONS: mm (INCHES)		PROJECT SPEC: 108-2012	APPLICATION SPEC: 114-2059	SIZE: A2
MATERIAL: #04 PRE-MILLED BRASS		FINISH: △	WEIGHT: -	STOCK CODE: 1217460
CUSTOMER DRAWING		SCALE: 8:1	SHEET: 1 OF 1	REV: C

1217460

1217460-1

AMP
TAB, 1.50 [.059] SERIES,
LEFT HAND,
187 SERIES MAG-MATE™

SCALE: 8:1 SHEET: 1 OF 1 REV: C