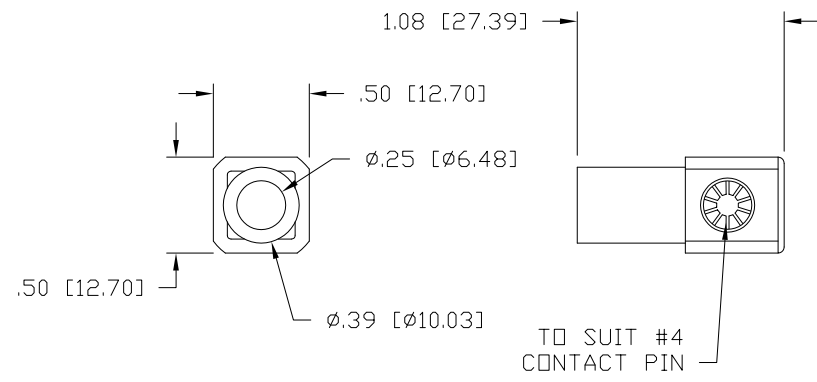


This drawing involves proprietary design rights of Tyco Electronics Corporation, and all design, manufacturing, reproduction, use and sale rights regarding the same are expressly reserved. It is admitted for a specific purpose and the recipient by accepting this drawing assumes custody and control and agrees to take reasonable precautions: (a) that this drawing will not be copied and reproduced, in whole or in part, or its contents revealed in any manner, or to any person, except to meet the purpose for which it was delivered and (b) that any special features peculiar to this design will not be incorporated in other projects without the expressed written permission of Tyco Electronics Corporation.

REVISIONS			
EC	REV	DESCRIPTION	DATE
	A	NEW RELEASE	08.19.05



5. REFERENCE TYCO PART NUMBER 6648239-1

4. FINISH:

- SOCKET HOUSING - SILVER PLATED
- CROWN CONTACT - GOLD PLATED
- INSULATOR - AS MOLDED - BLACK

3. MATERIAL:

- CROWN CONTACT - BERYLLIUM COPPER ALLOY
- SOCKET HOUSING - TELLURIUM COPPER ALLOY
- INSULATOR - THERMOPLASTIC, UL94V-0, COLOR - BLACK

2. ITEMS PROVIDED TO THIS SPECIFICATION SHALL BE IDENTIFIED ON THE CONTAINER WITH THE FOLLOWING INFORMATION:
PART NUMBER AND DATE CODE OF MANUFACTURE.

1. PART NUMBER CHANGES AND/OR DESIGN CHANGES AFFECTING ITEM INTERCHANGEABILITY REQUIRE PRIOR TYCO APPROVAL AND AUTHORIZATION BY REVISION TO THIS DRAWING.

NOTES: UNLESS OTHERWISE SPECIFIED:

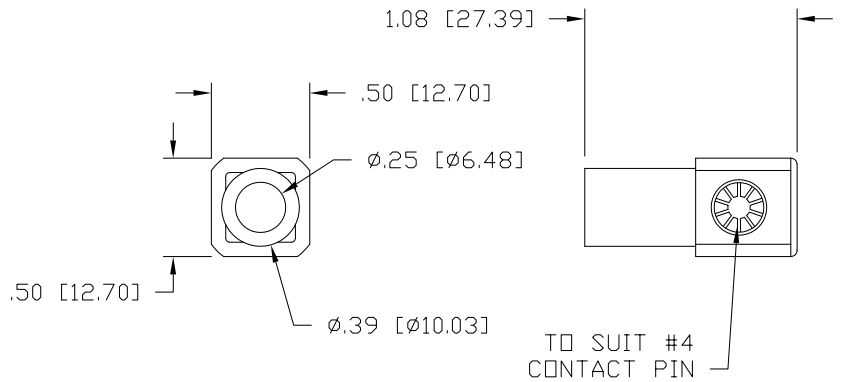
INCH OR INCH (MM) THIRD ANGLE PROJECTION UNLESS OTHERWISE SPECIFIED DIMENSIONS ARE IN INCHES (METRIC)	DRAWN LOVATO	DATE 08.19.05	Tyco Electronics Corporation Menlo Park, Ca 94025
	CHECKED		
TOLERANCES ANGLES ± .5° DECIMALS .XXX ±.020 [.508] .XX ±	APPROVED D. CHAU	11/10/05	SIZE DWG NUMBER B C= 6648239
	APPROVED M. VIZCARRA	11/10/05	REV. A
ACAD FILE NUMBER C6648239A.DWG		DWG SCALE 2=1	SH 1 OF 2

4 3 2 1

4 3 2 1

This drawing involves proprietary design rights of Tyco Electronics Corporation, and all design, manufacture, reproduction, use and sale rights regarding the same are expressly reserved. It is submitted for a specific purpose and the recipient by accepting this drawing, assumes custody and control and agrees to take reasonable precautions (a) that this drawing will not be copied and reproduced in whole or in part, or its contents revealed in any manner, or to any person except to meet the purpose for which it was delivered and (b) that any special features peculiar to this design will not be incorporated in other projects without the expressed written permission of Tyco Electronics Corporation.

REVISIONS			
EC	REV	DESCRIPTION	DATE
	A	NEW RELEASE	08.19.05



5. REFERENCE TYCO PART NUMBER 6648239-2

4. FINISH:

- SOCKET HOUSING - SILVER PLATED
- CROWN CONTACT - GOLD PLATED
- INSULATOR - AS MOLDED - RED

3. MATERIAL:

- CROWN CONTACT - BERYLLIUM COPPER ALLOY
- SOCKET HOUSING - TELLURIUM COPPER ALLOY
- INSULATOR - THERMOPLASTIC, UL94V-0, COLOR - RED

2. ITEMS PROVIDED TO THIS SPECIFICATION SHALL BE IDENTIFIED ON THE CONTAINER WITH THE FOLLOWING INFORMATION:
PART NUMBER AND DATE CODE OF MANUFACTURE.

1. PART NUMBER CHANGES AND/OR DESIGN CHANGES AFFECTING ITEM INTERCHANGEABILITY REQUIRE PRIOR TYCO APPROVAL AND AUTHORIZATION BY REVISION TO THIS DRAWING.

NOTES: UNLESS OTHERWISE SPECIFIED:

INCH MM THIRD ANGLE PROJECTION UNLESS OTHERWISE SPECIFIED DIMENSIONS ARE IN INCHES (METRIC) TOLERANCES ANGLES ± .5° DECIMALS .XXX ±.020 [.508] .XX ±	DRAWN LOVATO	DATE 08.19.05	 Tyco Electronics Corporation Menlo Park, Ca 94025 	TITLE JUMPER, CROWN SOCKET SIZE No. 4 CROWN RIGHT ANGLE WITH No. 6 CRIMP BARREL	REV. A	
	CHECKED	APPROVED				SIZE B
	APPROVED	D. CHAU DCA APPROVED	11/10/05	DWG NUMBER = 6648239	DWG SCALE 2=1	SH 2 OF 2
	ACAD FILE NUMBER C6648239A.DWG					