

4

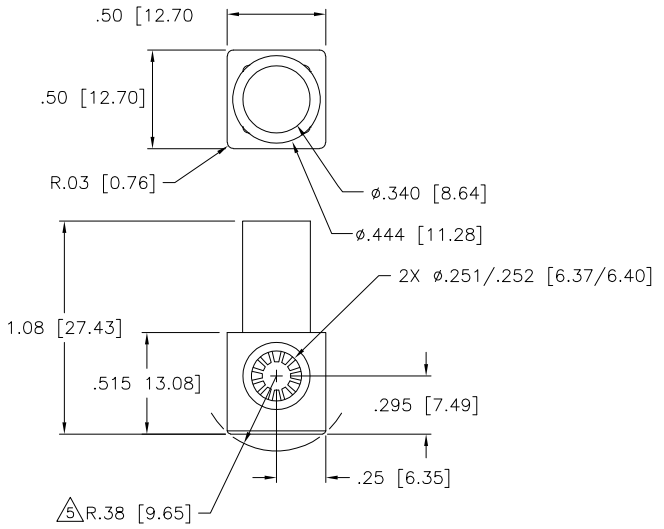
3

2

1

THIS DRAWING IS UNPUBLISHED. RELEASED FOR PUBLICATION
 © COPYRIGHT - BY TYCO ELECTRONICS CORPORATION. ALL RIGHTS RESERVED.

LOC		DIST		REVISIONS			
P	LTR	DESCRIPTION	DATE	DWN	APVD		
GP	00	A	RELEASED	02MAR06	RG	MP	



6. FOR TERMINATION REFER TO 1926079-1

△ ROTATION ARC.

4. FINISH:

SOCKET HOUSING - SILVER PLATED .000200 MIN THK. OVER ELECTROLESS NICKEL PLATE .000040 MIN THK.

CROWN - GOLD PLATED .000030 MIN THK OVER ELECTROLESS NICKEL PLATE .000040 MIN. THK

3. MATERIAL:

CROWN CONTACT - BERYLLIUM COPPER

SOCKET HOUSING - TELLURIUM COPPER ALLOY

INSULATOR - THERMOPLASTIC, 94V-0, COLOR PER TABLE

2. ITEMS PROVIDED TO THIS SPECIFICATION SHALL BE IDENTIFIED ON THE CONTAINER WITH THE FOLLOWING INFORMATION: PART NUMBER AND DATE CODE OF MANUFACTURE.

1. PART NUMBER CHANGES AND/OR DESIGN CHANGES AFFECTING ITEM INTERCHANGEABILITY REQUIRE PRIOR TYCO APPROVAL AND AUTHORIZATION BY REVISION TO THIS DRAWING.

RED	6648236-2
BLACK	6648236-1
COLOR	PART NUMBER

THIS DRAWING IS A CONTROLLED DOCUMENT.		DWN	R.GRZYBOWSKI	02MAR2006	 Tyco Electronics Corporation Harrisburg, PA 17105-3608
DIMENSIONS:		CHK	M.PERCHERKE	02MAR06	
INCHES		APVD	M.PERCHERKE	02MAR06	
TOLERANCES UNLESS OTHERWISE SPECIFIED:		NAME		CROWN SOCKET JUMPER, SIZE #4	
0 PLC ± -		PRODUCT SPEC		W/ #4 CRIMP BARREL,	
1 PLC ± -		APPLICATION SPEC		-	
2 PLC ± .02		WEIGHT		-	
3 PLC ± .010		SIZE		A3	
4 PLC ± -		CAGE CODE		00779	
ANGLES ± .5		DRAWING NO		C-6648236	
MATERIAL		RESTRICTED TO		-	
FINISH		CUSTOMER DRAWING		SCALE 1:1 SHEET 1 OF 1 REV A	

RAPID LOCK ELCON

AMP 1470-19 REV 31MAR2000

03MAR06 8:56am us021428

H:\autocad\6648236_1A.DWG