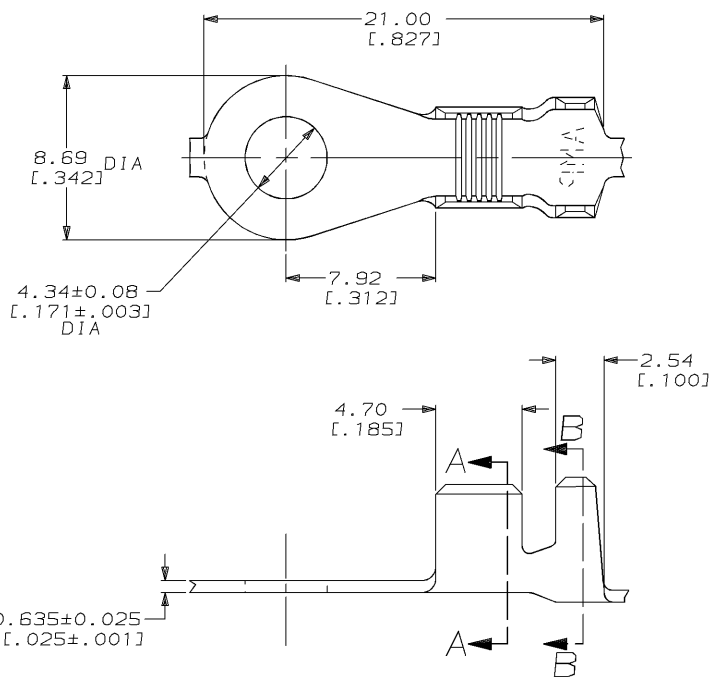
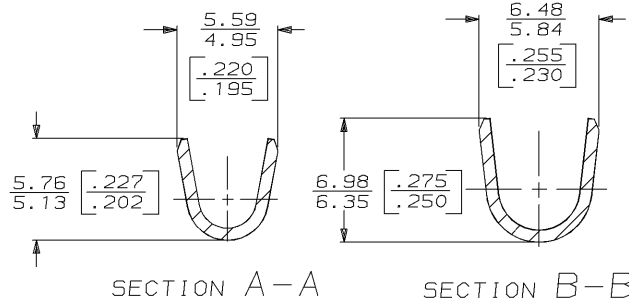


THIS DRAWING IS UNPUBLISHED. RELEASED FOR PUBLICATION, 19 .  
 © COPYRIGHT 19 BY AMP INCORPORATED. ALL INTERNATIONAL RIGHTS RESERVED.

LOC	DIST	P	F	ZONE	LTR	REVISIONS	DATE	APPD
AF	50				B	REVISED PER 0710-0503-95	02/OCT/85	PF/GY



1 CONTINUOUS STRIP ON REELS.



3.81-4.83 DIA [0.150-.190]	(2) #13 MAGNET [12-10]	63864-1
INSULATION RANGE	WIRE RANGE	PART NO
DO NOT SCALE PRINT. UNLESS SPECIFIED DIMENSIONS IN mm [INCHES] TOLERANCES ON: 2 PLG DEC ± 0.25(0.010) 3 PLG DEC ± - ANGLES ± -	DR 08/SEP/85 PHILLIP H. FORTNEY CHK 08/SEP/85 JEFF R. RUTH APPD 08/SEP/85 GARY YEETER MATERIAL 082 BRASS	AMP AMP Incorporated Harrisburg, PA 17105-3608
FINISH 0.002032 [0.00080] MIN TIN PL PER MIL-T-10727	APPLICATION SPEC - WEIGHT -	NAME RING, AMPLIVAR
	SIZE B	CAGE CODE 00779
	SCALE 5:1	DRAWING NO C=63864
		SHEET 1 OF 1

THIS DRAWING IS A CONTROLLED DOCUMENT FOR AMP INCORPORATED. IT IS SUBJECT TO CHANGE AND THE CONTROLLING ENGINEERING ORGANIZATION SHOULD BE CONTACTED FOR THE LATEST REVISION.

AMP 1470-15 REV 3-92  
 02-NOV-95 10:32:14 amp17795 /ws/dept2122/dwg2122/u.rs

CUSTOMER DRAWING