

4

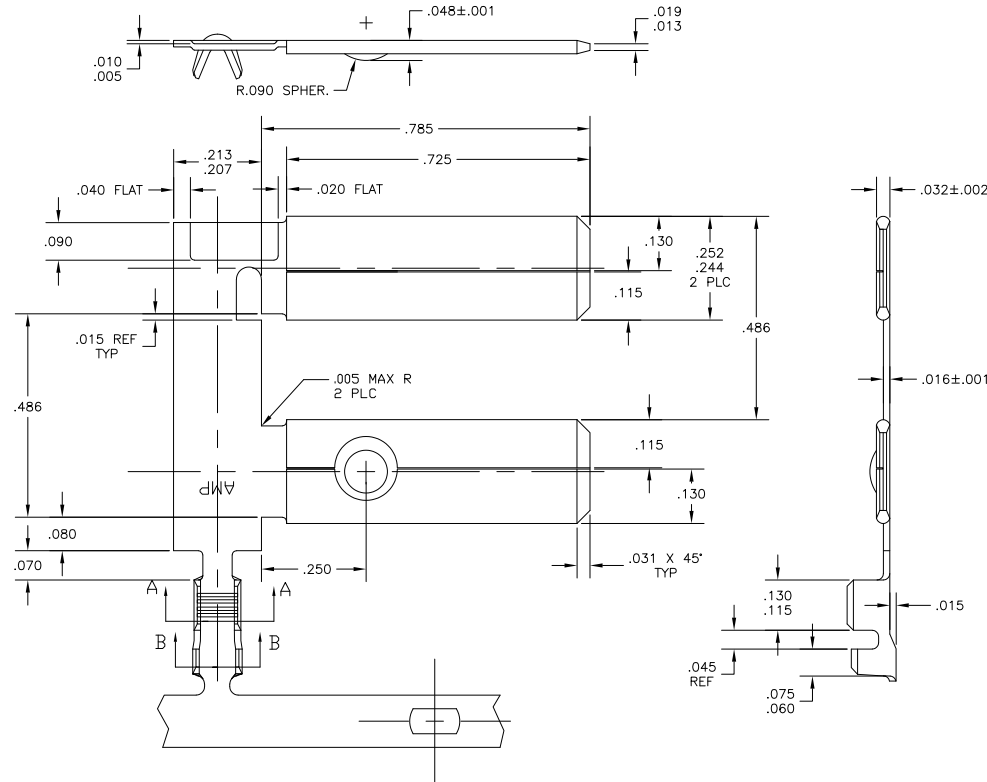
3

2

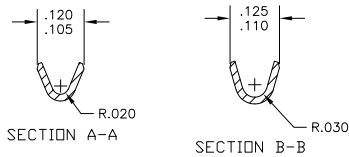
1

THIS DRAWING IS UNPUBLISHED. RELEASED FOR PUBLICATION
 © COPYRIGHT BY TYCO ELECTRONICS CORPORATION. ALL INTERNATIONAL RIGHTS RESERVED.

LOC		DIBT		REVISIONS			
P	LR	DESCRIPTION	DATE	BY	APPD		
D1		REDRAWN PER EDR 09-024892	18NOV09	JR	SM		



- 1 WIRE SIZE IS #22-#20 AWG
- 2 INSULATION RANGE DIA IS .070 MAX
- △ REVERSE REELED DF 505081-1



△	505081-2
	505081-1
	PART NO

THIS DRAWING IS A CONTROLLED DOCUMENT.		DR	18NOV09	Tyco Electronics Corporation	
DIMENSIONS: MM (INCHES)		CHK	18NOV09	Harrisburg, PA 17105-3608	
TOLERANCES UNLESS OTHERWISE SPECIFIED:		SAM_MACE	18NOV09	CONTACT, .248 DUAL BLADE, AMPLIVAR	
0 PLC	± .005	APC		APPLICATION SPEC	
1 PLC	± .005	PRODUCT SPEC		SIZE	CAGE CODE
2 PLC	± .005			A2	00779
3 PLC	± .005			C=	505081
4 PLC	± .005			RESTRICTED TO	
ANGLES	± .030°	WEIGHT			
MATERIAL	TEMP 2 BRASS	FINISH	PRE-TIN	CUSTOMER DRAWING	SCALE
				6:1	SHEET 1 of 1
				REV	D1