

LOC	DIST	REVISIONS					
A1	-	P	LTR	DESCRIPTION	DATE	DWN	APVD
		A1		REVISED PER ECO-11-005150	20APR11	RK	HMR

Siehe Produktgruppenzeichnung  
929453


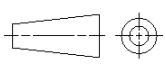
REFER TO PRODUCT GROUP DRAWING  
FOR LATEST INFORMATION  
ON THE PART  
929453

RELEASED FOR PUBLICATION

ALL RIGHTS RESERVED.

THIS DRAWING IS UNPUBLISHED.

BY -  
COPYRIGHT -

DIMENSIONS: mm		DWN S. Garcia	30SEP99	MATERIAL -	FINISH -	
TOLERANCES UNLESS OTHERWISE SPECIFIED:  0 PLC ±- 1 PLC ±- 2 PLC ±- 3 PLC ±- 4 PLC ±- ANGLES ±1°		CHK R. Jetter	30SEP99	 TE Connectivity		
		APVD -	-			
		PRODUCT SPEC -	NAME MQS Stiftkontakt MQS PIN CONTACT			
		APPLICATION SPEC -	SIZE A4	CAGE CODE 00779	DRAWING NO C=1355719	RESTRICTED TO -
WEIGHT -		CUSTOMER DRAWING			SCALE %	SHEET   OF   REV A1

AMP 1469-35 REV 27JUN96