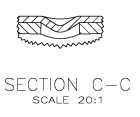
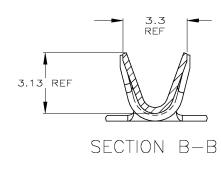
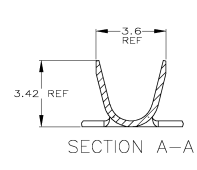
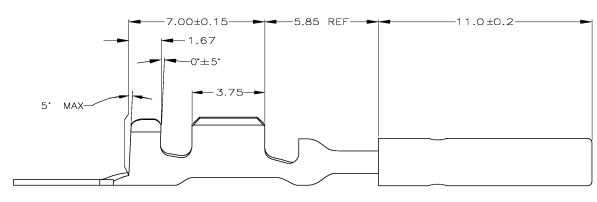
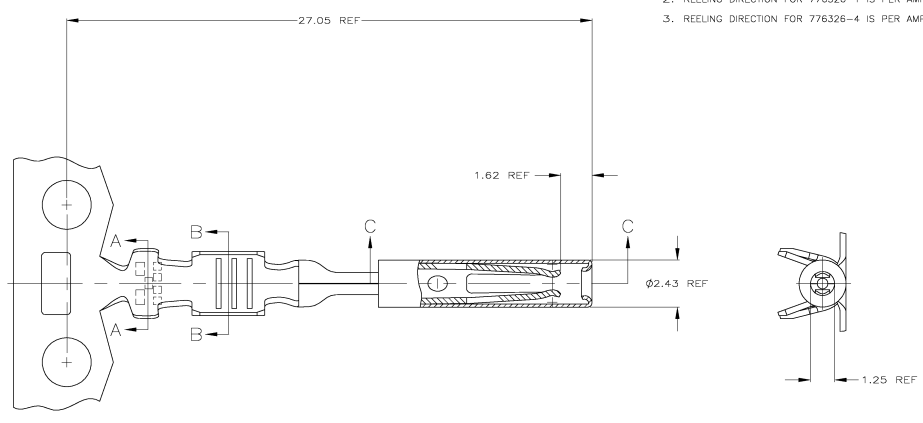


REV	DATE	DESCRIPTION	BY	CHK	APP
00					
1		REV PER DK40-0590-03	DLANDIA	AH	JT

- 1. NICKEL UNDER PLATE, GOLD PLATED CONTACT AREA WITH TIN PLATING IN WIRE BARREL.
- 2. REELING DIRECTION FOR 776326-1 IS PER AMP 107-3, FIG.2
- 3. REELING DIRECTION FOR 776326-4 IS PER AMP 107-3, FIG.4



THIS DRAWING IS A CONTROLLED DOCUMENT.		DATE: 10-29-94	BY: J. COLLINS	REV: 10-29-94	CHK: J. COLLINS	APP: J. COLLINS
DRAWN BY: J. COLLINS		DATE: 10-29-94	BY: J. COLLINS	REV: 10-29-94	CHK: J. COLLINS	APP: J. COLLINS
CHECKED BY: J. COLLINS		DATE: 10-29-94	BY: J. COLLINS	REV: 10-29-94	CHK: J. COLLINS	APP: J. COLLINS
APPROVED BY: J. COLLINS		DATE: 10-29-94	BY: J. COLLINS	REV: 10-29-94	CHK: J. COLLINS	APP: J. COLLINS
MATERIAL: SLEEVE: CU CONTACT: CU ALLOY		WEIGHT: 114-6071	REV: A1	DATE: 00779	DRAWING NO: 776326	RESTRICTED TO: ---
CUSTOMER DRAWING		SCALE: 10:1	REV: 1	BY: J	CHK: C	APP: ---