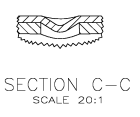
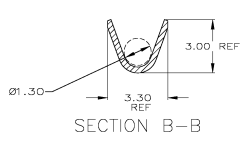
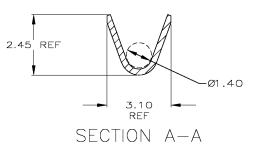
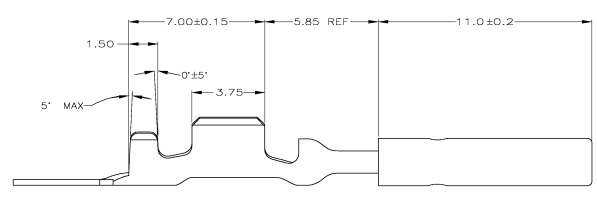
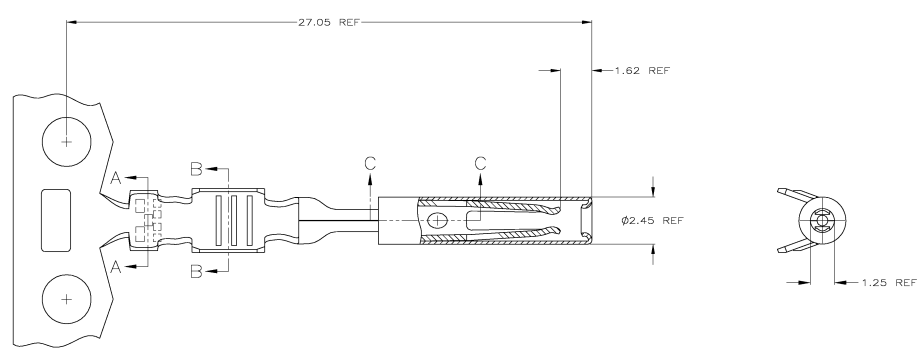


REV	DATE	DESCRIPTION	BY	CHK	APP
00					
D1	REV PER	DK40-0406-03	TRAMPAS	AH	JT

- △ NICKEL UNDER PLATE, GOLD PLATED CONTACT AREA WITH TIN PLATING IN WIRE BARREL.
- 2. REELING DIRECTION FOR 776235-1 IS PER AMP 107-3, FIG.2
- 3. REELING DIRECTION FOR 776235-4 IS PER AMP 107-3, FIG.4



567680	776235-4
	776235-1
	PART NUMBER

THIS DRAWING IS A CONTROLLED DOCUMENT		BY: J. COLLINS	1/20/88	 Avnet Total Electronics Expansion Harrisburg, PA 17105-3608
DRAWN BY: J. COLLINS		1/20/88	DATE: 1/20/88	
DIMENSIONS: MM UNLESS OTHERWISE SPECIFIED TOLERANCES: FRACTIONS DECIMALS FRACTIONS DECIMALS FRACTIONS DECIMALS ANGLES: ± 0.30°	MATERIAL: SLEEVE: CU CONTACT: CU ALLOY FINISH:	PART NUMBER: 776235-4 PART NUMBER: 776235-1 PART NUMBER:	TITLE: CONNECTOR ASSEMBLY-WIRE DRAWING NO: 114-6071 REV: A1 DATE: 00778 CUSTOMER DRAWING:	RESTRICTED TO: