

4

3

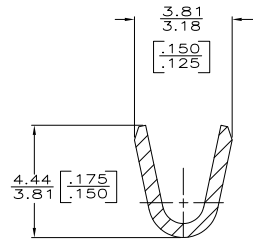
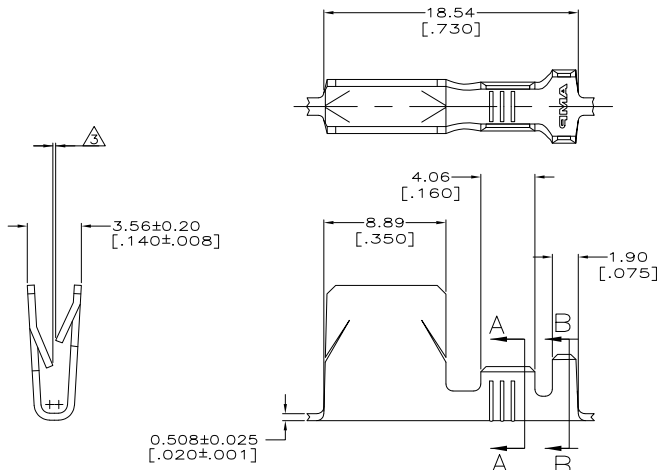
2

1

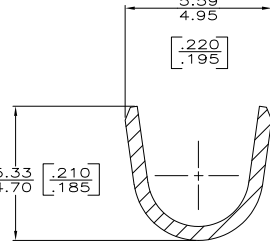
THIS DRAWING IS UNPUBLISHED. RELEASED FOR PUBLICATION  
 © COPYRIGHT - By - ALL RIGHTS RESERVED.

LOC	DIST	REVISIONS			
P	LTR	DESCRIPTION	DATE	BY	APPD
AF	50				
F4		REVISED PER ECR-11-006190	30MAR11	HMR	PD

- 1 CONTINUOUS STRIP ON REEL.
- 2 FOR 0.51-0.76 [.020-.030] PANEL THICKNESS.
- △ 0.13 [.005] GAP TO 0.25 [.010] OVERLAP ON TINES.
- 4 WITH INTERLEAVING PAPER
- 5 WIRE SIZE IS #18-#14 AWG
- 6 INSULATION RANGE IS 2.29-3.18 [.090-.125] DIA
- △ PRELIMINARY - NOT FOR PRODUCTION



SECTION A-A  
SCALE 10:1



SECTION B-B  
SCALE 10:1

PRE-TIN	UNS C52100 H04 PHOS BRZ	△ 63895-3
	1/4 HARD STAINLESS STEEL	63895-1
FINISH	MATERIAL	PART NO.

THIS DRAWING IS A CONTROLLED DOCUMENT.		DRN: PHILLIP M. FORTNEY 03/24/06	TE Connectivity	
DIMENSIONS: MM (INCHES)		CHK: JEFF RUTH 03/24/06	TE Connectivity	
OTHER DIMENSIONS: 0.25 (010)		APPD: MARK BARNABA 03/24/06	TE Connectivity	
MATERIAL: SEE TABLE		FINISH: SEE TABLE	GROUNDING CLIP	
APPLICATION SPEC: -		SIZE: A2	CAGE CODE: 00779	DRAWING NO: C-63895
RESTRICTED TO: -		SCALE: 5:1		SHEET: 1 of 1
CUSTOMER DRAWING		REV: F4		