

4

3

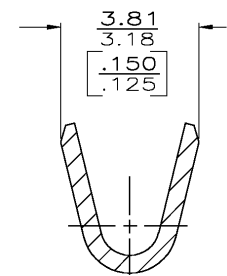
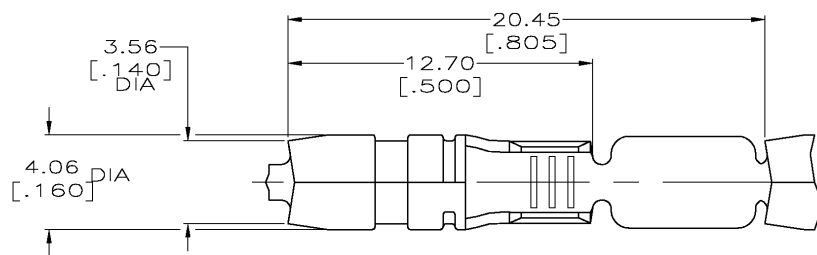
2

1

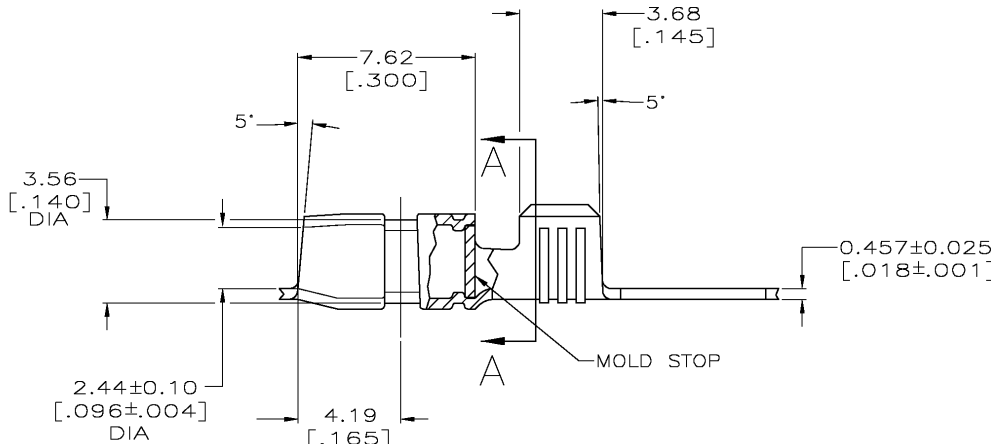
THIS DRAWING IS UNPUBLISHED. RELEASED FOR PUBLICATION
 © COPYRIGHT - BY TYCO ELECTRONICS CORPORATION. ALL RIGHTS RESERVED.

LOC	DIST	REVISIONS				
P	LTR	DESCRIPTION	DATE	DWN	APVD	
AF	50	N	REV PER OG3A-0808-04	18JAN05	JR DD	

- 1 CONTINUOUS STRIP ON REEL.
- 2 WIRE SIZE IS [18-14] AWG
- △ 3 0.003302 [.000130] MAX PRE-TIN PL.



SECTION A-A
SCALE 10:1



61802-1
PART NO.

THIS DRAWING IS A CONTROLLED DOCUMENT.		DWN PHILLIP M. FORTNEY 30/SEP/94	Tyco Electronics Corporation Harrisburg, Pa 17105-3608	
DIMENSIONS: INCHES		CHK JEFF R. RUTH 30/SEP/94	NAME SHUR PLUG, 3.96 [.156] DIA	
TOLERANCES UNLESS OTHERWISE SPECIFIED: 1 2 3 4 ANGLES		APVD R KUZO 30/SEP/04	SIZE A3	
MATERIAL 081 BRASS		FINISH - △ 3	CAGE CODE 00779	DRAWING NO 61802
		WEIGHT	RESTRICTED TO	
		CUSTOMER DRAWING	SCALE 6:1	SHEET 1 OF 1
			REV N	