

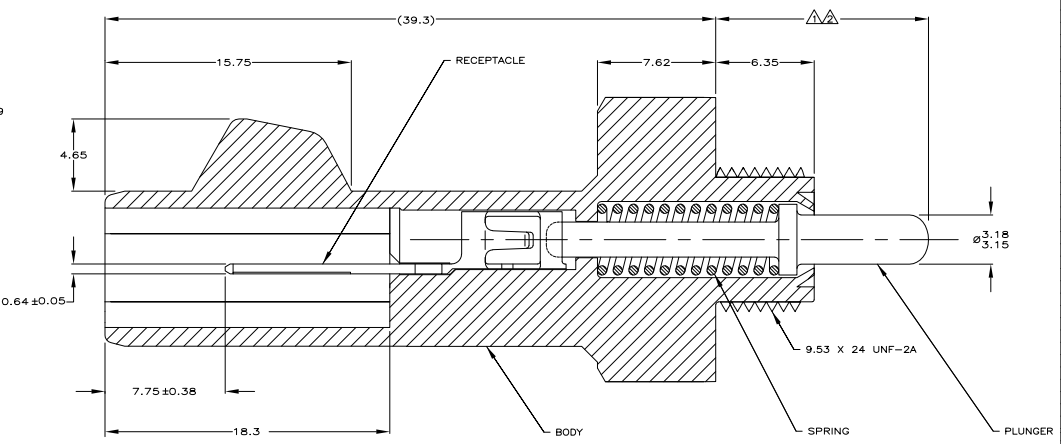
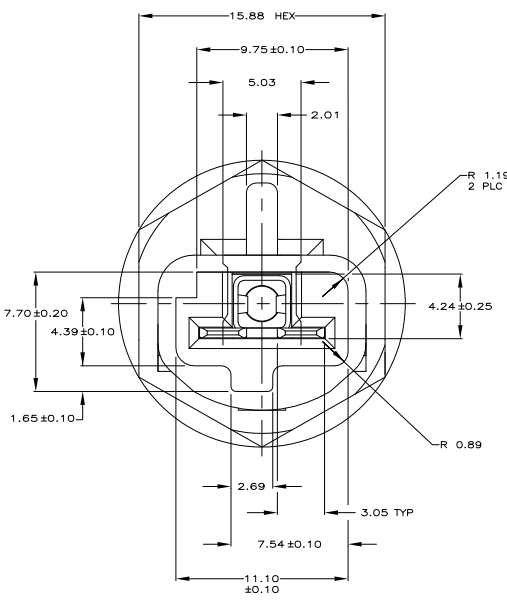
THIS DRAWING IS UNAPPROVED FOR FABRICATION
 BY THE ELECTRONIC CORPORATION ALL RIGHTS RESERVED

MM	IN	MM	IN	MM	IN
0.05	.002	3.15	.124	11.10	.437
0.10	.004	3.18	.125	11.3	.445
0.13	.005	4.24	.167	12.29	.484
0.20	.008	4.39	.173	12.8	.504
0.25	.010	4.65	.183	13.26	.522
0.38	.015	5.03	.198	13.46	.530
0.64	.025	6.35	.250	13.97	.550
0.89	.035	7.54	.297	15.75	.620
1.19	.047	7.62	.300	15.88	.625
1.65	.065	7.75	.305	18.3	.720
2.01	.079	7.70	.303	39.3	1.55
2.69	.106	9.53	.375	-	-
3.05	.120	9.75	.384	-	-

REV	DATE	DESCRIPTION	BY	CHK	APP
00					
D		REVISED PER ECR-08-218257	11/10/06	AH	DC

△ PLUNGER POSITION HEIGHT:
 MAXIMUM SOLID - 11.3
 FREE - 13.46 - 13.97
 ELECTRICAL CONTACT - 12.29 - 12.8

△ PLUNGER LOAD AT 13.26 TO BE 6.7 TO 9.3 N
 [1.5 TO 2.1 LBS.]



STAINLESS STEEL	BRASS, BRIGHT TIN-LEAD PL	BRASS, NICKEL PLATING	NYLON, NATURAL	360387-1
SPRING	RECEPTACLE	PLUNGER	BODY	PART NO.

THIS DRAWING IS A CONTROLLED DOCUMENT. DATE CHECKED: 4/10/02
 DATE DESIGNED: 4/10/02
 DATE REVISED: 4/10/02

DESIGNED BY: [Signature]
 CHECKED BY: [Signature]
 DRAWN BY: [Signature]
 APPROVED BY: [Signature]

THIS DRAWING IS A CUSTOMER DRAWING. CUSTOMER DRAWING: [Signature]

ASSEMBLY, BRAKE SWITCH
 PART NO. 360387
 REVISED TO: [Signature]

SCALE: 8:1