

4


3

2

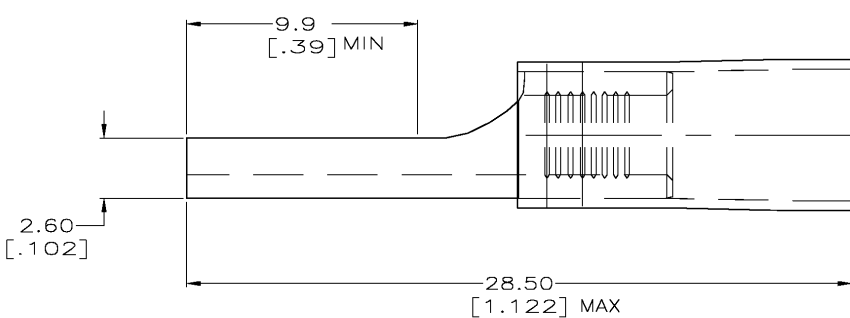
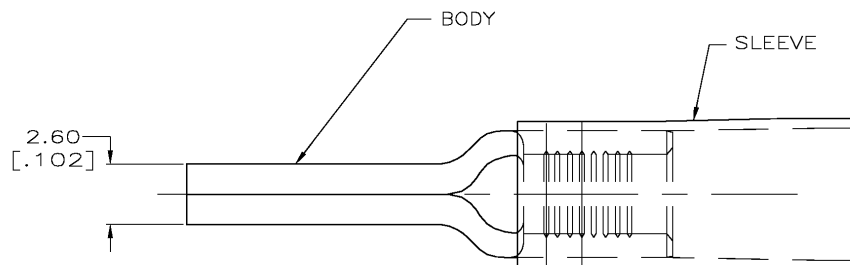
1

THIS DRAWING IS UNPUBLISHED. RELEASED FOR PUBLICATION
 © COPYRIGHT - BY TYCO ELECTRONICS CORPORATION. ALL RIGHTS RESERVED.

LOC	DIST	REVISIONS				
P	LTR	DESCRIPTION	DATE	DWN	APVD	
C		REV PER 0G3A-0156-04	17MAR04	JR	TM	

AMP WIRE RANGE	 FILE E13288
12-10 AWG STRANDED	12-10 AWG STRANDED

- 1 WIRE INSULATION DIA.
3.80-6.30 [.150-.248] DIA.
- 2 LOOSE PIECE P/N 165049



2000	165049 ON TAPE	2-696200-2
QTY	PACKAGE TYPE	PART NO

AMP INCORPORATED
CUSTOMER SERVICE SYSTEMS

FOR ADDITIONAL PRODUCT INFORMATION OR COPIES OF DRAWINGS AND TECHNICAL DOCUMENTS
 PRODUCT INFORMATION CENTER
 1-800-522-6752

FOR APPLICATION TOOLING ASSISTANCE CENTER
 TOOLING INFORMATION
 1-800-722-1111

FOR ORDER ENTRY
 1-800-526-5142

MAX RECOMMENDED OPERATING TEMPERATURE:
 105°C [221°F]

VOLTAGE RATING:
 300V MAX

CIRCULAR MIL AREA:
 2.70-6.8mm² [5.328-13.025] STRANDED

THIS DRAWING IS A CONTROLLED DOCUMENT.


DIMENSIONS: mm [INCHES]

TOLERANCES UNLESS OTHERWISE SPECIFIED:

0 PLC	± -
1 PLC	± -
2 PLC	± 0.20 [.008]
3 PLC	± -
4 PLC	± -
ANGLES	± -

MATERIAL: BODY: COPPER SLEEVE: NYLON

FINISH: BODY: TIN PLATE SLEEVE: YELLOW

DWN JR RUTH 09AJ00		Tyco Electronics Corporation Harrisburg, Pa 17105-3608	
CHK T MICHELUTTI 09AJ00		NAME	
APVD T MICHELUTTI 09AJ00	PRODUCT SPEC		TERMINAL, WIRE PIN, PIDG WIRE SIZE, 12-10 AWG
APPLICATION SPEC	SIZE	CAGE CODE	DRAWING NO
WEIGHT	A3	00779	C-696200
CUSTOMER DRAWING	SCALE	6:1	SHEET 1 OF 1 REV C

AMP 1470-19 REV 31MAR2000