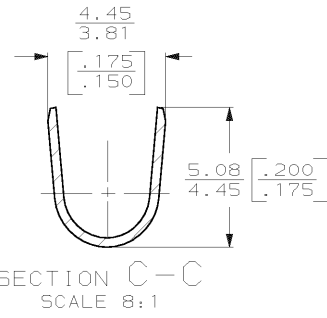
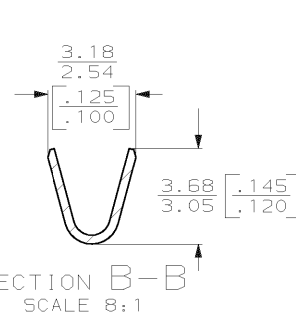
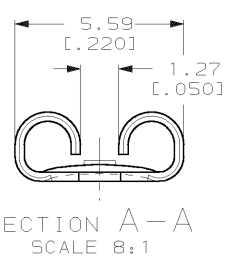
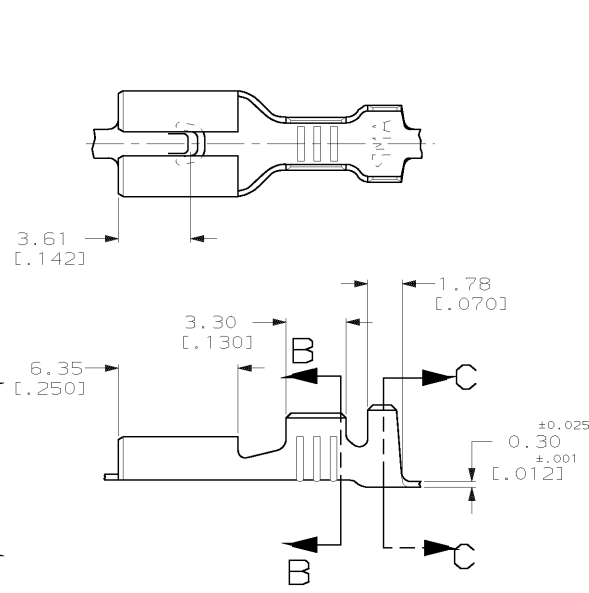


LOC	DIST	P	F	ZONE	LTR	REVISIONS	DATE	APPD
AF	50				B	REV PER 063A-0266-00'	27APR00	JR/PD



1 CONTINUOUS STRIP ON REELS.

2.29-3.30 DIA [.090-.130] DIA	0.5-1.3mm ² [#20-#16] AWG	-	63654-1
INSUL RANGE	WIRE SIZE	FINISH	PART NO
DO NOT SCALE PRINT. UNLESS SPECIFIED DIMENSIONS IN mm [INCHES] TOLERANCES ON: 2 PLC DEC ± 0.25 (.010) 3 PLC DEC ± - ANGLES ± -	DR B/19/96 JR RUTH CHK B/19/96 MS FEHER APPD B/19/96 P DESANTIS APPD B/19/96 V KARABCIEVSKY	AMP AMP Incorporated Harrisburg, PA 17105-3608 NAME RECEPTACLE, FASTON, LOW-INSERTION, 4.75 [.187] SERIES	
MATERIAL H04 BRASS	PRODUCT SPEC -	SIZE B	CAGE CODE 00779
FINISH -	APPLICATION SPEC -	DRAWING NO C=63654	SHEET 1 OF 1
	WEIGHT -	SCALE 5:1	

THIS DRAWING IS A CONTROLLED DOCUMENT FOR AMP INCORPORATED. IT IS SUBJECT TO CHANGE AND THE CONTROLLING ENGINEERING ORGANIZATION SHOULD BE CONTACTED FOR THE LATEST REVISION.