

4

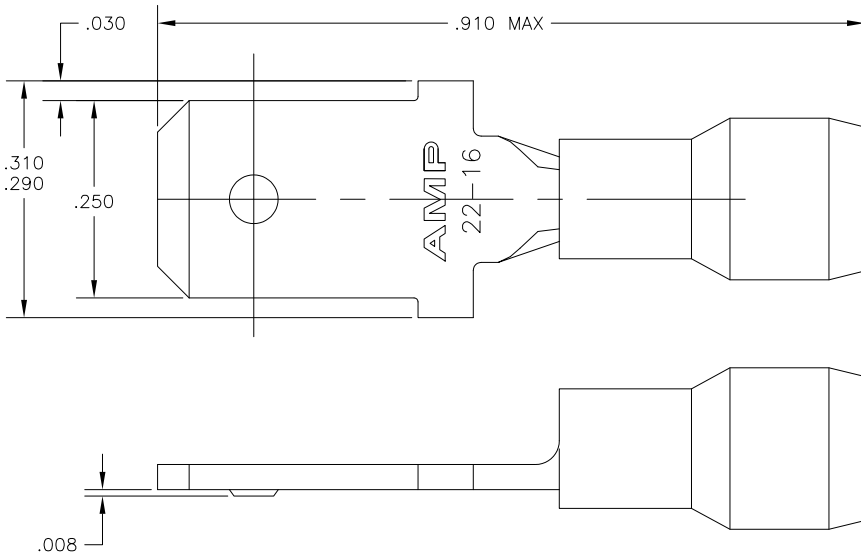
3

2

1

THIS DRAWING IS UNPUBLISHED. RELEASED FOR PUBLICATION
 © COPYRIGHT - By - ALL RIGHTS RESERVED.

LOC		DIST		REVISIONS			
P	LTR	DESCRIPTION	DATE	DWN	APVD		
	K1	REVISED PER ECO-11-004917	11MAR11	RK	HMR		



- 1 STAMPED "AMP 22-16".
- 2 WIRE INSULATION DIA .105-.140 .
- 3 MATERIAL THK IS .031±.002
- 4 SELECTIVE GOLD PLATE IN WIRE BARREL AND CONTACT AREA

5000	RED, PVC	COPPER, TIN	TAPE MOUNTED	66023-4
500	RED, PVC	COPPER, GOLD 4	LOOSE PIECES	66023-3
500	RED, PVC	COPPER, TIN	LOOSE PIECES	66023-2
QTY	SLEEVE	MATERIAL & FINISH	PACKAGING TYPE	PART NO.

THIS DRAWING IS A CONTROLLED DOCUMENT.

DWN JR RUTH 10SEP2002	CHK T MICHELUTTI 10SEP02		
APVD T MICHELUTTI 10SEP02	NAME	PIDG TAB ASSEMBLY	
PRODUCT SPEC	APPLICATION SPEC	SIZE	CAGE CODE DRAWING NO
WEIGHT	RESTRICTED TO	A3	00779 C-66023
MATERIAL SEE TABLE	FINISH SEE TABLE	CUSTOMER DRAWING	SCALE 8:1 SHEET 1 OF 1 REV K1