

4

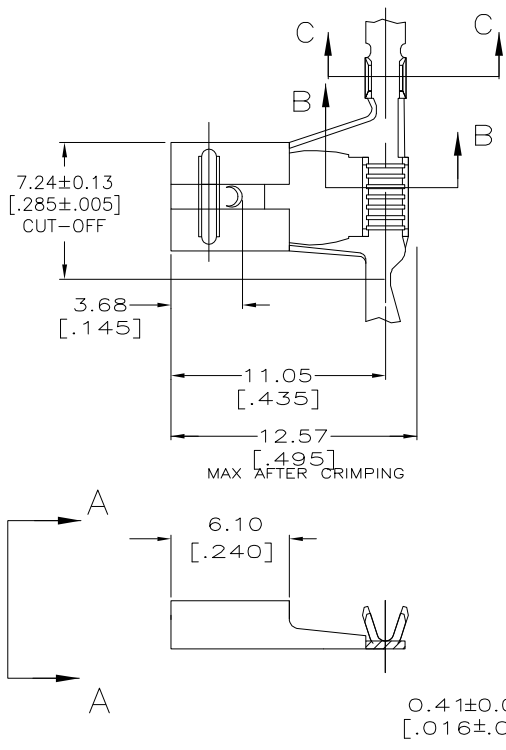
3

2

1

THIS DRAWING IS UNPUBLISHED. RELEASED FOR PUBLICATION  
 © COPYRIGHT - BY TYCO ELECTRONICS CORPORATION. ALL RIGHTS RESERVED.

LOC	DIST	REVISIONS				
P	LTR	DESCRIPTION	DATE	DWN	APVD	
AF	50	H	REV PER ECR 05-010744	01DEC05	JR	PD



- 1 CONTINUOUS STRIP ON REELS.
- 2 ACCEPTS MAGNET WIRE RANGES 500-1200 CMA.
- 3 MATING TAB THK TO BE 0.51±0.025 [.020±.001].
- △ 0.002032 [.000080] MIN TIN

VIEW A-A

SECTION B-B

SECTION C-C

63942-1  
PART NO.

THIS DRAWING IS A CONTROLLED DOCUMENT.		DWN JR RUTH 9/30/96	 Tyco Electronics Corporation Harrisburg, PA 17105	RECEPTACLE, FASTON, FLAG, AMPLIVAR, 4.75 [.187] SERIES		
DIMENSIONS: MM TOLERANCES UNLESS OTHERWISE SPECIFIED: 0 PLC ± - 1 PLC ± - 2 PLC ± 0.25 [.010] 3 PLC ± - 4 PLC ± - ANGLES ± -		CHK MS FEHER 9/30/96		NAME	RESTRICTED TO	
MATERIAL H04 BRASS		APVD P DESANTIS 9/30/96	PRODUCT SPEC	SIZE A3	CAGE CODE 00779	DRAWING NO 63942
FINISH - △ 4		WEIGHT	APPLICATION SPEC	SCALE 5:1	SHEET 1 OF 1	REV H
CUSTOMER DRAWING						

AMP 1470-19 REV 31MAR2000