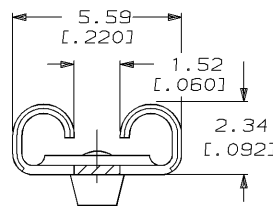
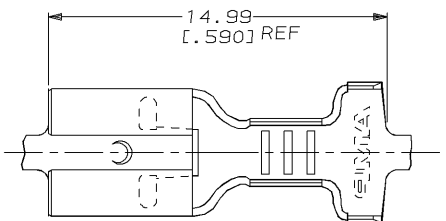


DRAWING MADE IN THIRD ANGLE PROJECTION

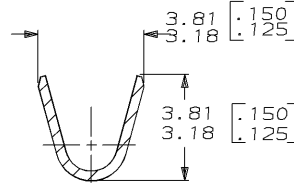
THIS DRAWING IS UNPUBLISHED. RELEASED FOR PUBLICATION, 19 .

© COPYRIGHT 19 BY AMP INCORPORATED. ALL INTERNATIONAL RIGHTS RESERVED.

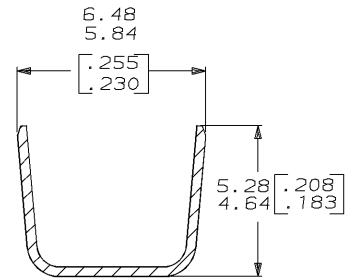
LOC	DIST	REVISIONS				DATE	APPD
		ZONE	LTR	DESCRIPTION			
AF	50			REL PER 0710-0047-96	2/6/96	JR/JG	



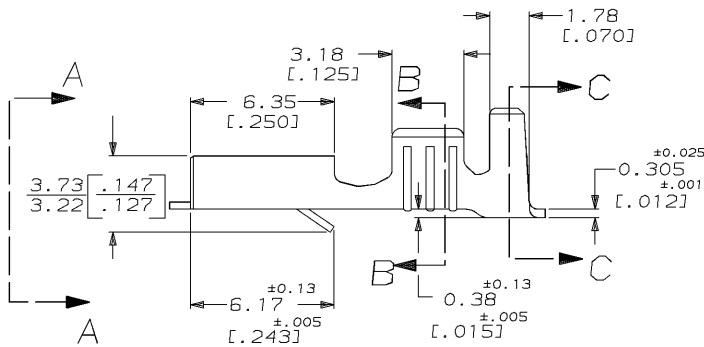
VIEW A-A
SCALE 8:1



SECTION B-B
SCALE 8:1



SECTION C-C
SCALE 8:1



3.30-4.83 OR (2) 2.79 MAX [.130-.190 OR (2) .110 MAX]	[#18-#14] AWG OR (2) #18'S	0.813±0.025 [.032±.001]	63833-1
INSUL RANGE	WIRE SIZE	MATING TAB THICKNESS	PART NO
DO NOT SCALE PRINT. UNLESS SPECIFIED DIMENSIONS IN mm (INCHES) TOLERANCES ON: 2 PLC DEC ± 0.25 (.010) ANGLES ± -	DR 3/3/85 JR RUTH CHK 3/3/85 NS FEHER APPD 3/3/85 J GILLESPIE APPD 3/3/85 R REINER PRODUCT SPEC -	AMP AMP INCORPORATED Harrisburg, Pa. 17105 RECEPTACLE, FASTIN-FASTON,™ 4.255 [.187] SERIES	
MATERIAL H04 BRASS	APPLICATION SPEC 114-2065	SIZE B	CAGE CODE 00779
FINISH -	WEIGHT -	DRAWING NO 63833	SHEET 1 OF 1

AMP 1470-15 REV 6-89
06-FEB-96 08:07:38 amp13469 /ws/dept2121/dwg2121/u.fastin-on/u.187-str

CUSTOMER DRAWING