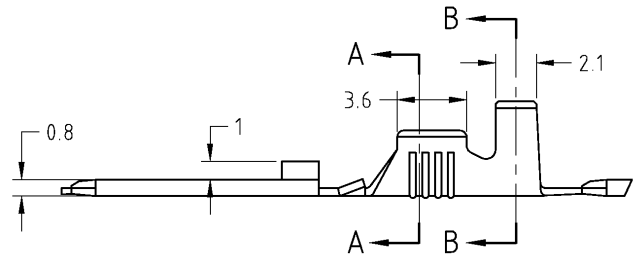
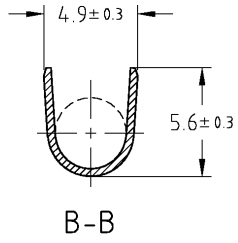
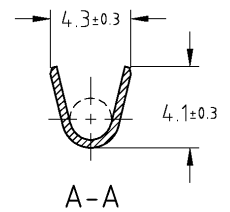
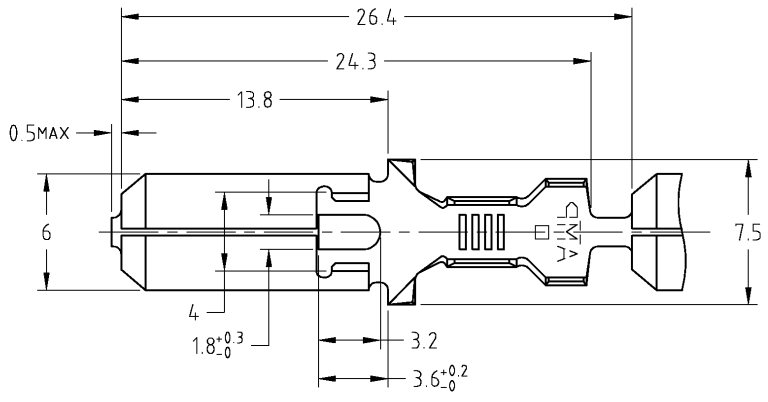


THIS DRAWING IS UNPUBLISHED. RELEASED FOR PUBLICATION  
 © COPYRIGHT BY TYCO ELECTRONICS CORPORATION. ALL RIGHTS RESERVED.

| LOC | DIST | REVISIONS |     |                                   |           |     |      |
|-----|------|-----------|-----|-----------------------------------|-----------|-----|------|
| J   | -    | P         | LTR | DESCRIPTION                       | DATE      | DWN | APVD |
|     |      | C1        |     | REDRAWN WITH CHANGE ECR-05-011868 | 27SEP2005 | J.S | N.Y  |



| FINISH     | MATERIAL                           | PART NUMBER                  |
|------------|------------------------------------|------------------------------|
| —W         | 鍍めつき済 黄銅<br>PRE-TIN BRASS t=0.41   | 170341-4 △                   |
| —W         | 鍍めつき済 黄銅<br>PRE-TIN BRASS t=0.41   | 170341-3                     |
| —W         | 黄銅<br>BRASS t=0.41                 | 170341-1                     |
| 仕上げ        | 材料                                 | 型番                           |
| FINISH     | MATERIAL                           | PART NUMBER                  |
| WIRE RANGE | 2-3.37mm <sup>2</sup> (AWG#14-#12) | INSULATION DIA<br>2.9-3.BDIA |

注記 ;  
 △ 中間紙を巻いたタイプ  
 NOTES;  
 △ SEPARATE PAPER TYPE

THIS DRAWING IS A CONTROLLED DOCUMENT.

|  |   |  |  |                    |
|--|---|--|--|--------------------|
| DIMENSIONS:<br>単位: 英<br>mm                     | TOLERANCES UNLESS<br>OTHERWISE SPECIFIED:<br>一般公差 | DWN<br>T.SHINOHARA<br>16JUN1998            | Tyco Electronics AMP K.K.<br>Kawasaki, Japan |                    |
| <br>10± ±0.2<br>30± >10 ±0.25<br>100± >30 ±0.3 | ANGLES<br>FINISH<br>仕上 ±0.3                       | CHK<br>K.BETSUI<br>16JUN1998               | 250 SERIES TAB WITHOUT LATCH                 |                    |
|  |   | APVD<br>K.BETSUI<br>16JUN1998              | RESTRICTED TO                                |                    |
| MATERIAL<br>材料                                 | SEE TABLE   | PRODUCT SPEC<br>製品規格<br>108-5147,5153,5319 | SIZE<br>A3                                   | CAGE CODE<br>00779 |
|  |   | APPLICATION SPEC<br>取付準備規格<br>114-5052     | DRAWING NO<br>170341                         | SCALE<br>尺数 5:1    |
|  |   | WEIGHT                                     | CUSTOMER DRAWING                             | SHEET 1 OF 1       |
|  |   |  |  | REV C1             |

AMP 1470-19 REV 31MAR2000

H:\DMTEC\CH-IN\C170341.dwg