

4

3

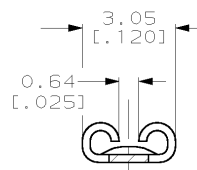
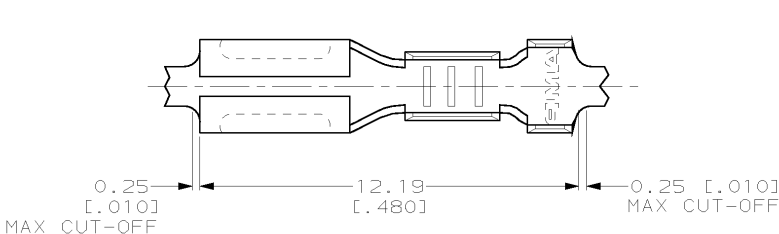
2

1

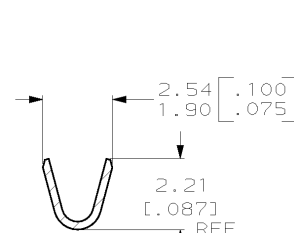
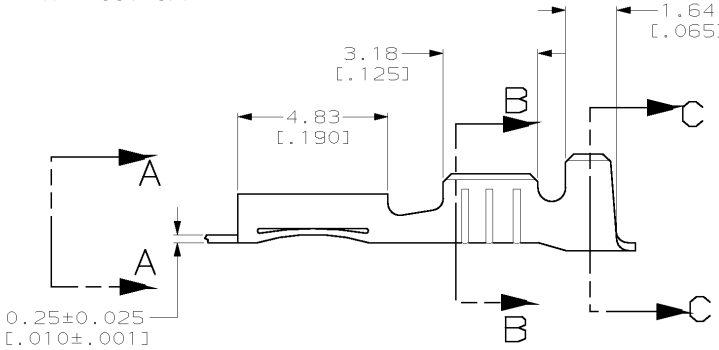
THIS DRAWING IS UNPUBLISHED. RELEASED FOR PUBLICATION .19  
 © COPYRIGHT 19 BY AMP INCORPORATED. ALL RIGHTS RESERVED.

LOC	DIST	REVISIONS				
P	LTR	DESCRIPTION	DATE	DWN	APVD	
AF	50	E	REDRAWN PER 0L10-0028-98	1/29/98	JR	JG

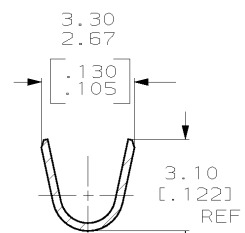
- SUPPLIED IN LOOSE PIECE OR STRIP FORM, SEE DASH NUMBERS.
- WIRE SIZE [#22-#18] AWG.
- MATING TAB IS 0.25±0.025 [.010±.001] THK.
- INSULATION RANGE IS 1.27-2.16 [.050-.085] DIA.



VIEW A-A



SECTION B-B



SECTION C-C

STRIP	63391-2
LOOSE PIECE	63391-1
SUPPLIED TO CUSTOMER	PART NO.

THIS DRAWING IS A CONTROLLED DOCUMENT.		DWN	JR RUTH	1/29/98
DIMENSIONS: MM (INCHES)		CHK	P FORTNEY	1/29/98
TOLERANCES UNLESS OTHERWISE SPECIFIED:		APVD	J GILLESPIE	1/29/98
0 PLC	±	NAME		
1 PLC	±	PRODUCT SPEC		
2 PLC	±0.25 (.010)	APPLICATION SPEC		
3 PLC	±	SIZE		
4 PLC	±	CAGE CODE		
ANGLES	±	DRAWING NO		
MATERIAL	H04 BRASS	RESTRICTED TO		
FINISH	0.002032 (.000080) PRE-TIN	A3100779 C-63391		
WEIGHT	-	CUSTOMER DRAWING		
SCALE		8:1		
SHEET		1 OF 1		
REV		E		

**AMP** AMP Incorporated  
 Harrisburg, PA 17105-3608

RECEPTACLE, TAB, 2.36 [.093]