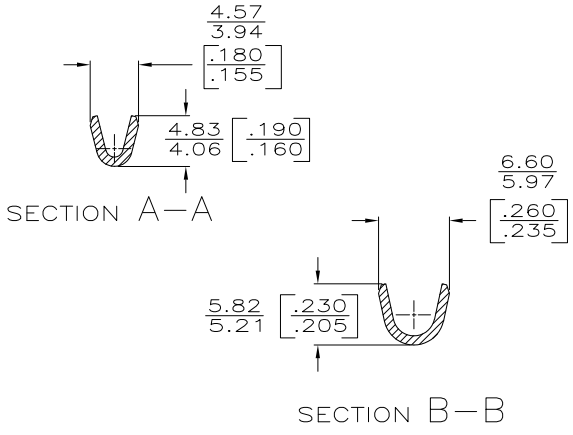
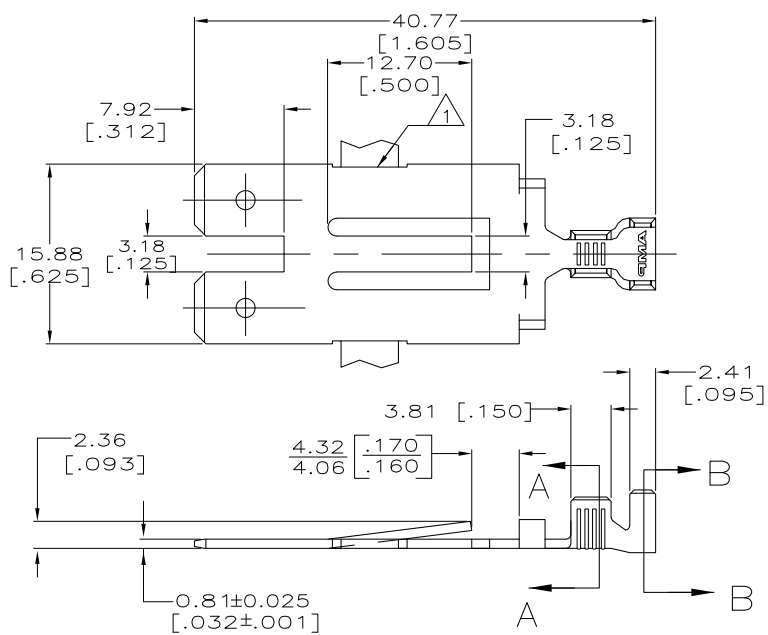


THIS DRAWING IS UNPUBLISHED. RELEASED FOR PUBLICATION
 © COPYRIGHT - By - ALL RIGHTS RESERVED.

LOC	DIST	REVISIONS					
AF	50	P	LTR	DESCRIPTION	DATE	DWN	APVD
		K		REVISED PER ECR-11-018063	26DEC11	KH	PD

1 CUT-OFF TAB TO BE FLUSH TO .005 BELOW EDGE OF TERMINAL.



3.05-4.32 DIA [.120-.170] DIA	#18-#14 AWG	61851-1
INSULATION RANGE	WIRE SIZE	PART NO.

THIS DRAWING IS A CONTROLLED DOCUMENT.		DWN	JR RUTH	2/10/95	TE Connectivity TAB, FASTIN-FASTON, 6.35 [.250] SERIES (SPECIAL DOUBLE TAB)
DIMENSIONS:		CHK	MS FEHER	2/10/95	
mm [INCHES]		APVD	J GILLESPIE	2/10/95	
TOLERANCES UNLESS OTHERWISE SPECIFIED:		NAME		PRODUCT SPEC	
0 PLC	±-	APPLICATION SPEC		WEIGHT	
1 PLC	±-	SIZE		CAGE CODE	
2 PLC	±-	DRAWING NO		RESTRICTED TO	
3 PLC	± 0.38 [.015]	A3		00779	
4 PLC	±-	C=		61851	
ANGLES	±-	CUSTOMER DRAWING		SCALE	
MATERIAL	082 BRASS	FINISH		TIN	SHEET
				3:1	1 of 1
				REV	K