

4

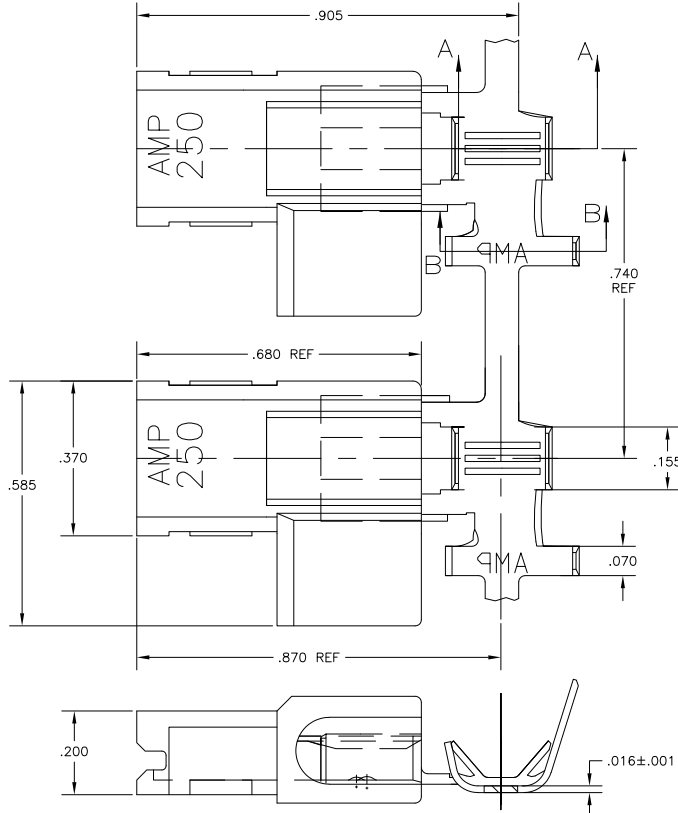
3

2

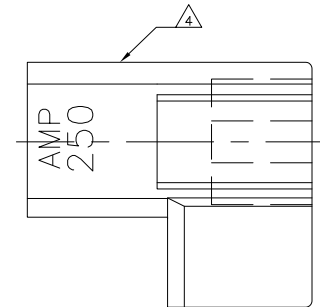
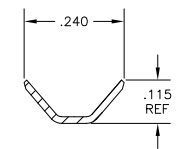
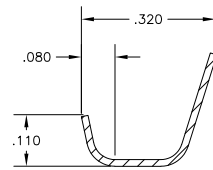
1

THIS DRAWING IS UNPUBLISHED. RELEASED FOR PUBLICATION
© COPYRIGHT BY TYCO ELECTRONICS CORPORATION. ALL RIGHTS RESERVED.

LOC		DIBT		REVISIONS			
P	LTR	DATE	BY	APP'D			
AF	50	G2	REVISED PER ECR-10-005376	11MAR10	JR	GP	



- 2 INSULATION RANGE TO BE .110-.160 OR TWO AT .110 MAX DIA.
- 3 WIRE SIZE IS [#18-#14 OR TWO #20'S OR TWO #18'S].
- △ ALTERNATE HOUSING FORM
- 5 FITS .250x.032 THICK FASTON TAB.



6/6 NYLON, V0 / NATURAL	BRASS / TIN PLATED	521633-2
6/6 NYLON, V0 / NATURAL	BRASS / PLAIN	521633-1
HOUSING MATERIAL / COLOR	TERMINAL MATERIAL / FINISH	PART NO
THIS DRAWING IS A CONTROLLED DOCUMENT.		
DIMENSIONS: INCHES 0 PLC ± .010 1 PLC ± .005 2 PLC ± .005 3 PLC ± .010 4 PLC ± .005 ANGLES ± .5°		TOLERANCES UNLESS OTHERWISE SPECIFIED: .108-1285 APPLICATION SPEC 114-2124 WEIGHT - FINISH SEE TABLE
JUN. RUTH ORMAV03 CHK. HUMMEL ORMAV03 J. HUMMEL ORMAV03 PRODUCT SPEC 108-1285 APPLICATION SPEC 114-2124 WEIGHT - FINISH SEE TABLE		Tyco Electronics Corporation Harrisburg, Pa 17105-3608 ASSEMBLY, RECEPTACLE, FLAG, ULTRA-POD, .250 SERIES SIZE CASE CODE DRAWING NO. A200779C-521633 RESTRICTED TO - CUSTOMER DRAWING SCALE 6:1 SHEET 1 OF 1 REV G2

AMP 1471-9 REV 31MM2000

521633

A