

4

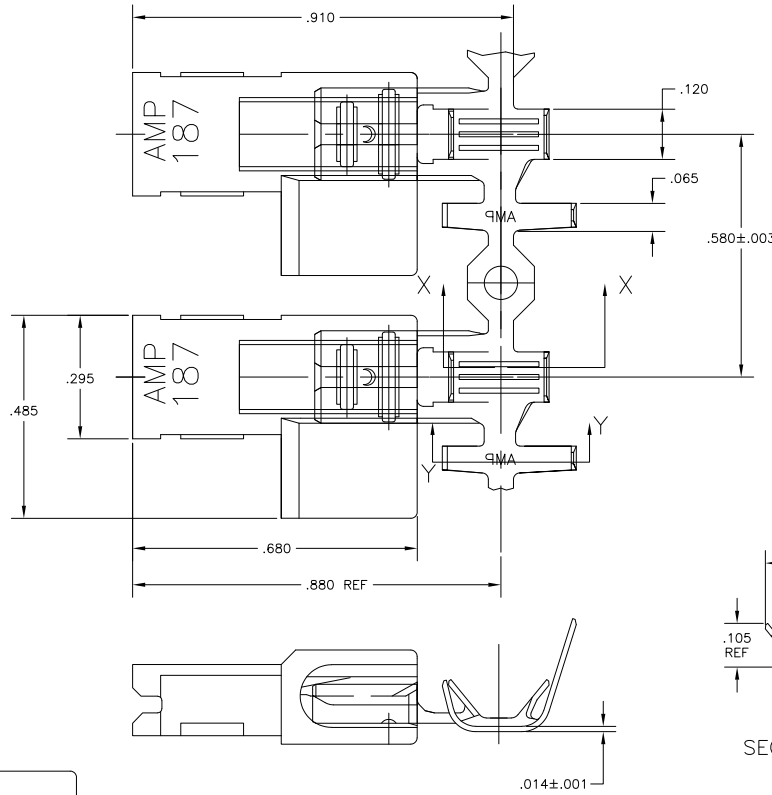
3

2

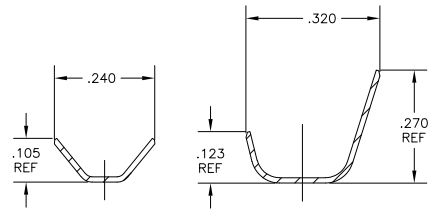
1

THIS DRAWING IS UNPUBLISHED. RELEASED FOR PUBLICATION
 © COPYRIGHT BY TYCO ELECTRONICS CORPORATION. ALL INTERNATIONAL RIGHTS RESERVED.

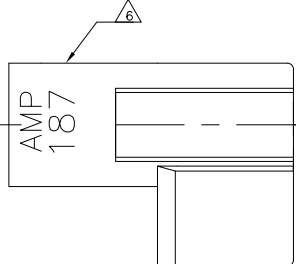
LOC	DIST	REVISIONS			
P	LTR	DESCRIPTION	DATE	BY	APP
AF	50				
	C2	REVISED PER ECR-10-005258	09MAR10	JR	GP



- 2 WIRE SIZES & COMBINATIONS: #18, #16, #14, (2)#20, (2)#18
- 3 INSULATION RANGE IS .110-.150 DIA OR TWO AT .110 MAX DIA.
- 4 MATERIAL:
TERMINAL: BRASS, FINISH SEE TABLE
HOUSING: 6/6 NYLON, V2, NATURAL COLOR
- 5 FITS .187 X .032±.001 THK FASTON TAB
- 6 ALTERNATIVE HOUSING FORM
- 7 PREPRODUCTION - FASR REQ



SECTION X-X SECTION Y-Y



.000080 MIN TIN PLATE	521599-2
NO PLATING	521599-1
TERMINAL: FINISH	PART NO.

THIS DRAWING IS A CONTROLLED DOCUMENT.		DR: JR_RUTH 30JUL03	Tyco Electronics Corporation Harrisburg, PA 17105-3608	
DIMENSIONS: INCHES		CHK: HUMMEL 24JUL03	NAME: KRISTY_YI	
OTHER DIMENSIONS: OTHER DIMENSIONS:		APP: KRISTY_YI 24JUL03	PRODUCT SPEC: 108-2215	
MATERIAL: SEE NOTES		APPLICATION SPEC: 114-2124	SIZE: CAGE CODE: DRAWING NO: A200779C-521599	
FINISH: SEE NOTES		WEIGHT: -	RESTRICTED TO: -	
CUSTOMER DRAWING		SCALE: 6:1	SHEET 1 of 1 REV C2	