

4

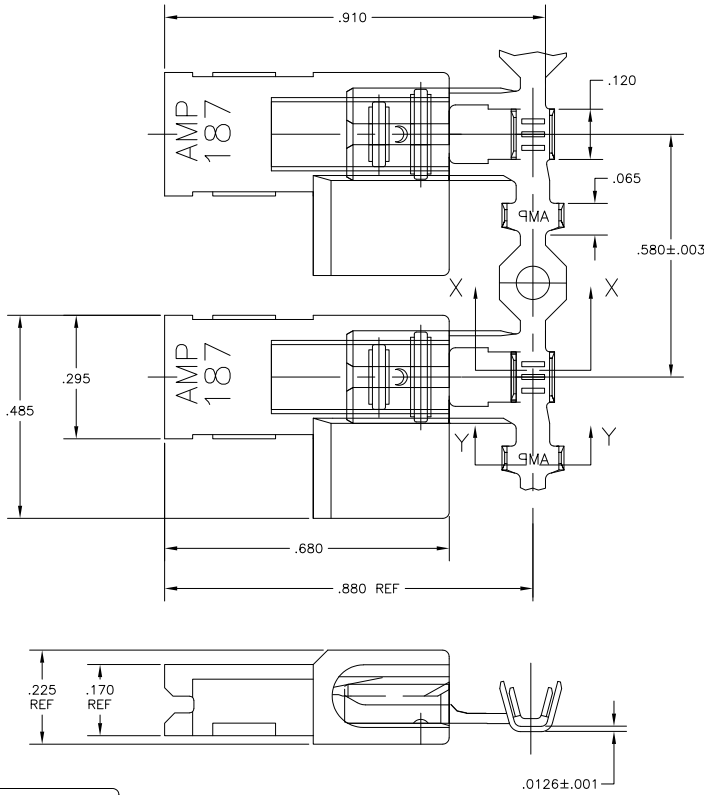
3

2

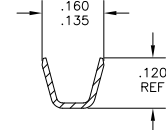
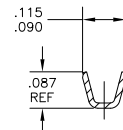
1

THIS DRAWING IS UNPUBLISHED. RELEASED FOR PUBLICATION
 © COPYRIGHT BY TYCO ELECTRONICS CORPORATION. ALL RIGHTS RESERVED.

LOC	DIST	REVISIONS		
P	LTR	DESCRIPTION	DATE	BY
AF	50			
	E1	REV PER ECR 10-005258	09MAR10	JR GP

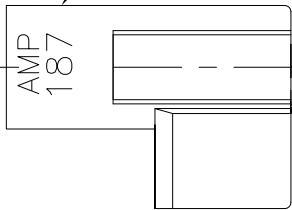


- 1 USE FLAG FASTON TERMINAL BASE
- 2 WIRE SIZE IS #22-#18 AWG
- 3 INSULATION RANGE IS .060-.110 DIA
- 4 MATERIAL;
TERMINAL: BRASS, FINISH: SEE TABLE
HOUSING: NYLON, NATURAL COLOR
- 5 FITS .187 X .020 THK FASTON TAB
- 6 ALTERNATIVE HOUSING FORM



SECTION X-X

SECTION Y-Y



.000080 MIN TIN PLATE	521596-2
NO PLATING	521596-1
TERMINAL: FINISH	PART NO.

DIMENSIONS:		OTHER DIMENSIONS:		APPROVALS:		REVISIONS:	
INCHES	0	PLC	±	JR RUTH	30JUL03		
	1	PLC	±	OK	24JUL03		
	2	PLC	±	J HUMMEL	24JUL03		
	3	PLC	±	KRISTY YI	24JUL03		
	4	PLC	±				
	5	PLC	±				
	6	PLC	±				
	7	PLC	±				
	8	PLC	±				
	9	PLC	±				
	10	PLC	±				
	11	PLC	±				
	12	PLC	±				
	13	PLC	±				
	14	PLC	±				
	15	PLC	±				
	16	PLC	±				
	17	PLC	±				
	18	PLC	±				
	19	PLC	±				
	20	PLC	±				
	21	PLC	±				
	22	PLC	±				
	23	PLC	±				
	24	PLC	±				
	25	PLC	±				
	26	PLC	±				
	27	PLC	±				
	28	PLC	±				
	29	PLC	±				
	30	PLC	±				
	31	PLC	±				
	32	PLC	±				
	33	PLC	±				
	34	PLC	±				
	35	PLC	±				
	36	PLC	±				
	37	PLC	±				
	38	PLC	±				
	39	PLC	±				
	40	PLC	±				
	41	PLC	±				
	42	PLC	±				
	43	PLC	±				
	44	PLC	±				
	45	PLC	±				
	46	PLC	±				
	47	PLC	±				
	48	PLC	±				
	49	PLC	±				
	50	PLC	±				
	51	PLC	±				
	52	PLC	±				
	53	PLC	±				
	54	PLC	±				
	55	PLC	±				
	56	PLC	±				
	57	PLC	±				
	58	PLC	±				
	59	PLC	±				
	60	PLC	±				
	61	PLC	±				
	62	PLC	±				
	63	PLC	±				
	64	PLC	±				
	65	PLC	±				
	66	PLC	±				
	67	PLC	±				
	68	PLC	±				
	69	PLC	±				
	70	PLC	±				
	71	PLC	±				
	72	PLC	±				
	73	PLC	±				
	74	PLC	±				
	75	PLC	±				
	76	PLC	±				
	77	PLC	±				
	78	PLC	±				
	79	PLC	±				
	80	PLC	±				
	81	PLC	±				
	82	PLC	±				
	83	PLC	±				
	84	PLC	±				
	85	PLC	±				
	86	PLC	±				
	87	PLC	±				
	88	PLC	±				
	89	PLC	±				
	90	PLC	±				
	91	PLC	±				
	92	PLC	±				
	93	PLC	±				
	94	PLC	±				
	95	PLC	±				
	96	PLC	±				
	97	PLC	±				
	98	PLC	±				
	99	PLC	±				
	100	PLC	±				