

4

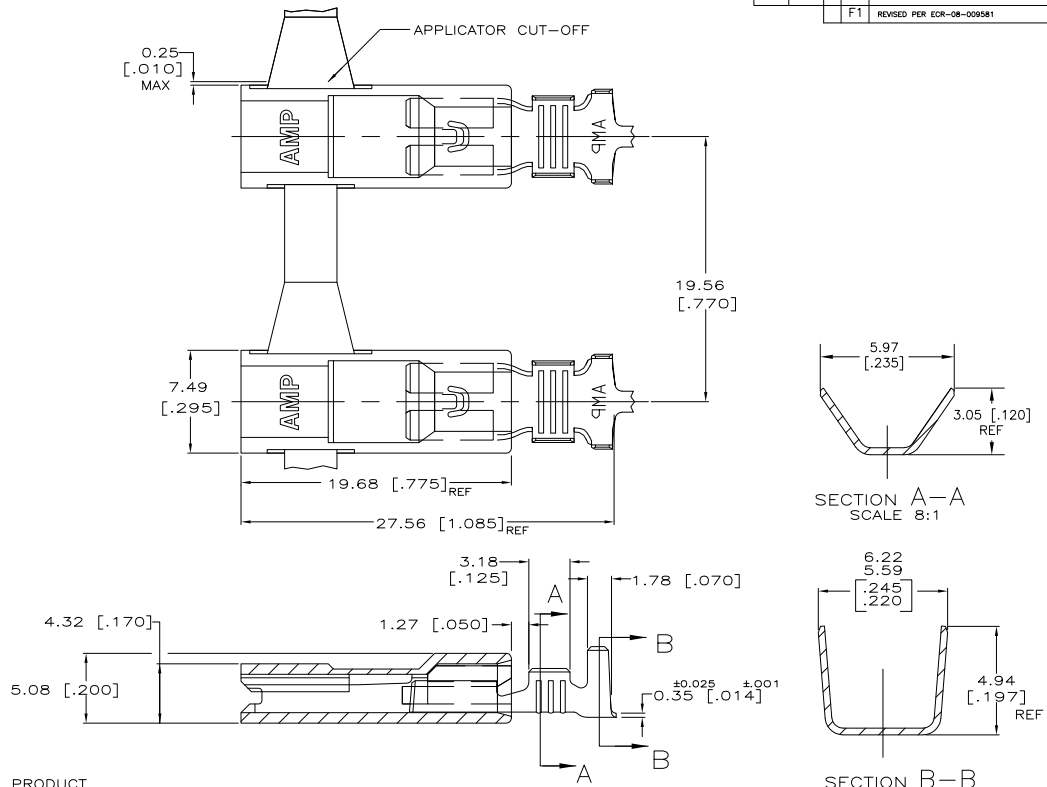
3

2

1

THIS DRAWING IS UNPUBLISHED. RELEASED FOR PUBLICATION  
 © COPYRIGHT BY TYCO ELECTRONICS CORPORATION. ALL RIGHTS RESERVED.

LOC	DIST	REVISIONS		
P	LTR	DESCRIPTION	DATE	BY
AF	50	F1	REVISED PER ECR-08-009581	22APR08 HMR GP



- 1 FASTON TERMINALS, BASE P/N 1742110, ARE USED IN THIS PRODUCT.
- 2 ZIN PLATE PER MIL-T-10727 .002032 [.000080] MIN.
- 3 MATING TAB THK TO BE  $0.51 \pm 0.025$  [.020 ± .001]
- 4 WIRE SIZE IS [#18-#16 OR TWO #18'S] AWG.
- 5 INSULATION RANGE IS 2.67-5.33 OR TWO AT 2.67 MAX, [.105-.210 OR TWO AT .105 MAX].

6/6 NYLON, VO - NAT(WHITE)	HO4 BRASS - TIN PL/2	521586-2
6/6 NYLON, VO - NAT(WHITE)	HO4 BRASS - PLAIN	521586-1
HOUSING MATERIAL & COLOR	TERMINAL MATERIAL & FINISH	PART NO

THIS DRAWING IS A CONTROLLED DOCUMENT.		J.R. RUTH 170E002		Tyco Electronics Corporation	
DIMENSIONS: INCHES		C.K. DEIBERT 170E002		Harrisburg, PA 17105-3608	
OTHER DIMENSIONS: MILLIMETERS		N. DEIBERT 170E002		NAME	
① PLG ± -		PRODUCT SPEC		108-1285	
② PLG ± -		APPLICATION SPEC		114-2124	
③ PLG ± 0.25 [.010]		SIZE		A2 00779 C=521586	
④ PLG ± -		WEIGHT		-	
⑤ PLG ± -		MATERIAL		SEE TABLE	
⑥ PLG ± -		FINISH		SEE TABLE	
MATERIAL SEE TABLE		FINISH SEE TABLE		CUSTOMER DRAWING	
		SCALE		5:1	
		SHEET		1 of 1	
		REV		F1	

AMP 1471-9 REV 31MM0200

521586

A