

4

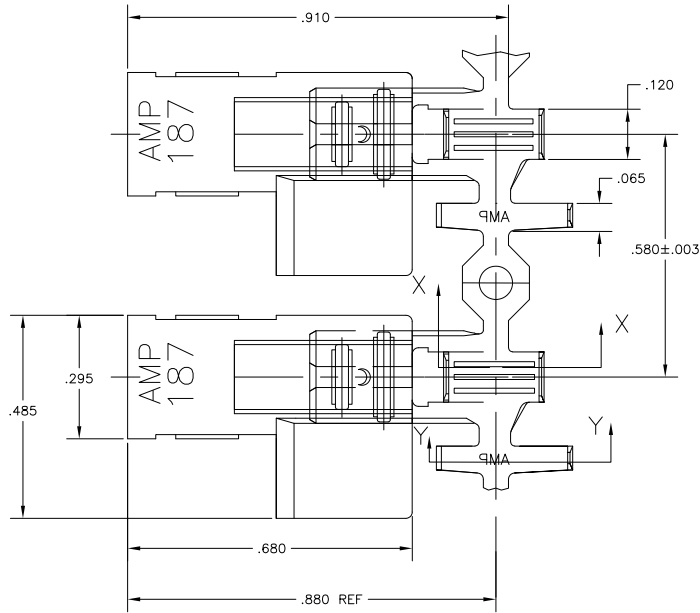
3

2

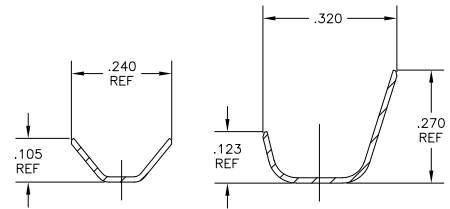
1

THIS DRAWING IS UNPUBLISHED. RELEASED FOR PUBLICATION
 © COPYRIGHT BY TYCO ELECTRONICS CORPORATION. ALL INTERNATIONAL RIGHTS RESERVED.

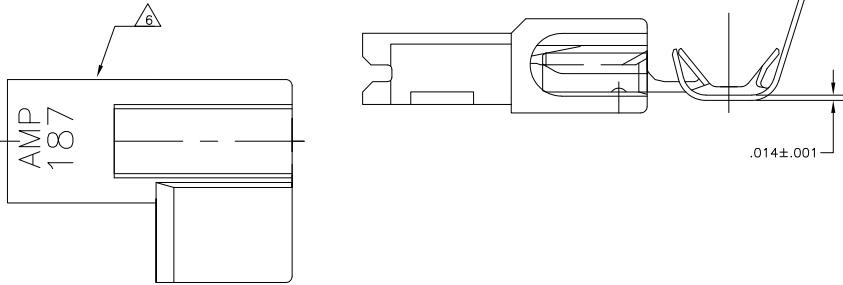
| LOC | DIST | REVISIONS | | | |
|-----|------|---------------------------|---------|----|-----|
| P | LTR | DESCRIPTION | DATE | BY | APP |
| AF | 50 | | | | |
| | C2 | REVISED PER ECR-10-005258 | 09MAR10 | JR | GP |



- 2 WIRE SIZES & COMBINATIONS: #18, #16, #14, (2)#20, (2)#18
- 3 INSULATION RANGE IS .110-.150 DIA OR TWO AT .110 MAX DIA.
- 4 MATERIAL:
TERMINAL: BRASS, FINISH SEE TABLE
HOUSING: 6/6 NYLON, V2, NATURAL COLOR
- 5 FITS .187 X .020 ± .001 THK FASTON TAB
- △ 6 ALTERNATIVE HOUSING FORM
- △ PREPRODUCTION - FASR REQ



SECTION X-X SECTION Y-Y



| | |
|-----------------------|------------|
| .000080 MIN TIN PLATE | △ 521471-2 |
| NO PLATING | △ 521471-1 |
| TERMINAL: FINISH | PART NO. |

| | | | | |
|--|--|----------------------------|---|-----------------------|
| THIS DRAWING IS A CONTROLLED DOCUMENT. | | DR: JR_RUTH 30JUL03 | Tyco Electronics Corporation Harrisburg, PA 17105-3608 | |
| DIMENSIONS: INCHES | | CHK: HUMMEL 24JUL03 | APPROVED: KRISTY_YI 24JUL03 | |
| OTHER DIMENSIONS: OTHER UNITS: NONE | | NAME: KRISTY_YI | ASSEMBLY, RECT, FLAG, ULTRA-POD, .187 SERIES | |
| MATERIAL: SEE NOTES | | PRODUCT SPEC: 108-2215 | 18-14 AWG, V2 HOUSING | |
| FINISH: SEE NOTES | | APPLICATION SPEC: 114-2124 | SIZE: A2 | RESTRICTED TO: - |
| | | WEIGHT: - | CAGE CODE: 00779 | DRAWING NO: 521471 |
| | | CUSTOMER DRAWING | SCALE: 6:1 | SHEET: 1 of 1 REV: C2 |

1471-9 (1/08)

521471

A