

4

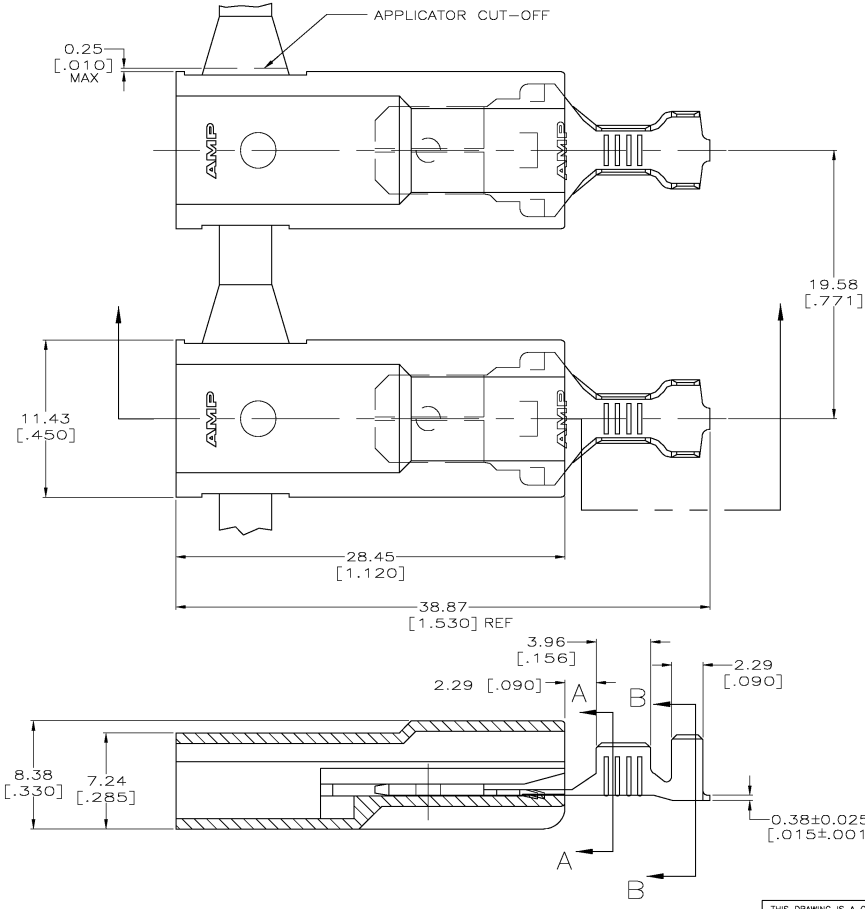
3

2

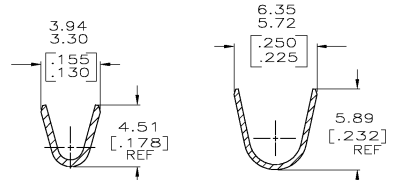
1

THIS DRAWING IS UNPUBLISHED.
 RELEASED FOR PUBLICATION
 COPYRIGHT BY TYCO ELECTRONICS CORPORATION. ALL RIGHTS RESERVED.

LOC	DIST	REVISIONS			
P	LTR	DESCRIPTION	DATE	OWN	APPD
AF	50	D	REV PER ECR 05-001924	28APROS	JR GP



- 1 FASTON TAB BASE #1217166, ARE USED IN THIS PRODUCT.
 - 2 WIRE SIZE IS [#18-#14] AWG.
 - 3 INSULATION RANGE IS 3.30-4.57 [.130-.180] DIA.
 - 4 MATES WITH A 6.35 X 0.81 [.250 X .032] RECEPTACLE.
- △ MATERIAL & FINISH
 TERMINAL - 082 BRASS, SEE TABLE
 HOUSING - HIGH TEMP NYLON 6, WHITE



TIN PLATE	521451-2
-	521451-1
FINISH	PART NO.

THIS DRAWING IS A CONTROLLED DOCUMENT.

DRW	JR RUTH	215E001
CHK	M.S. FRIER	215E001
APPD	J. HUNMER	215E001
DATE	108-1285	
APPLICATION SPEC	114-2124	
WEIGHT	-	
CUSTOMER DRAWING		

TYCO Electronics Corporation
 Horriaburg, Pa 17105-3608

ASSEMBLY, TAB, ULTRA-POD,
 6.35 [.250] SERIES

SEE DATE CODE DRAWING NO. RESTRICTED TO
 A2 00779 ©-521451

SCALE 5:1 SHEET 1 OF 1 REV D

AMP 1431-9 REV 31MAR2000

521451

A