

4

3

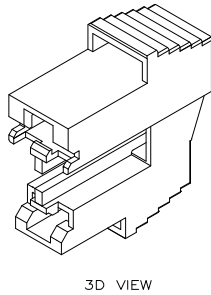
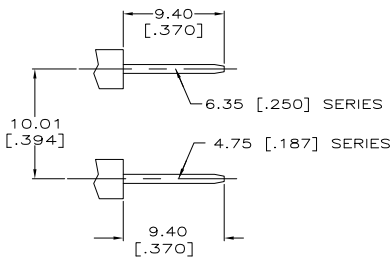
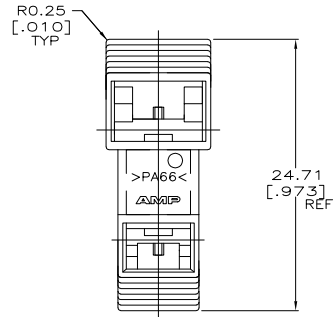
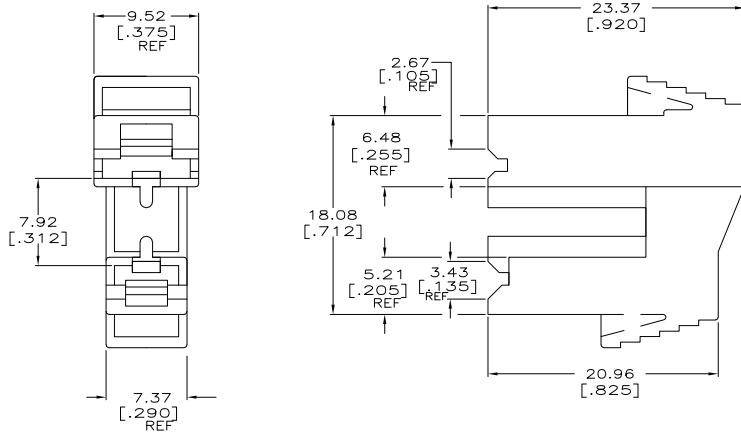
2

1

THIS DRAWING IS UNPUBLISHED. RELEASED FOR PUBLICATION
 © COPYRIGHT BY TYCO ELECTRONICS CORPORATION. ALL RIGHTS RESERVED.

LOC	DIST	REVISIONS			
P	LR	DESCRIPTION	DATE	MIN	APD
AF	50	A1	REV PER EDR 07-004435	27FEB07	JR PD

1 CENTERLINE LOCATION OF MATING TABS MUST BE HELD TO A TOLERANCE OF ±.005 TO INSURE PROPER MATING WITH THIS HOUSING.
 ⚠ PRELIMINARY - NOT FOR PRODUCTION



3D VIEW

BLACK	6/6 NYLON, V0	⚠ 521148-2
BLACK	6/6 NYLON	521148-1
FINISH	MATERIAL	PART NO.

DIMENSIONS:		TOLERANCES UNLESS OTHERWISE SPECIFIED:		APPROVED:		TYCO ELECTRONICS	
INCHES		0 PL	± .005	DR	JR RUTH	7/28/97	Tyco Electronics Corporation
		1 PL	± .005	CHK	MS FEHER	7/28/97	Harrisburg, PA 17105-3608
		2 PL	± .005	APP	D. BRATINA	7/28/97	
		3 PL	± .005	PRD			
		4 PL	± .005	APP			
		ANGLES	± .005	NAME			
				APPLICATION SPEC			
				WEIGHT			
MATERIAL	SEE TABLE	FINISH	SEE TABLE	SIZE	CAGE CODE	DRAWING NO.	RESTRICTED TO
				A2	00779	C=521148	
				CUSTOMER DRAWING			
				SCALE	4:1	SHEET	1 of 1
							REV A1

AMP 1471-9 REV 31MM2000

521148

A