

4

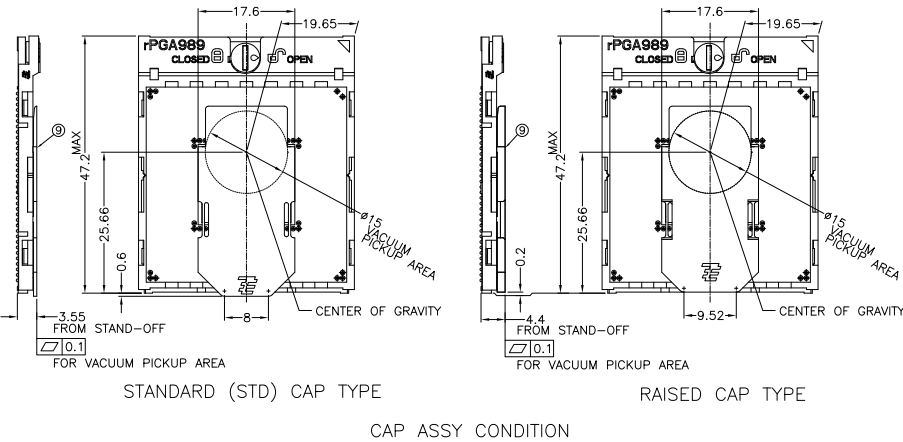
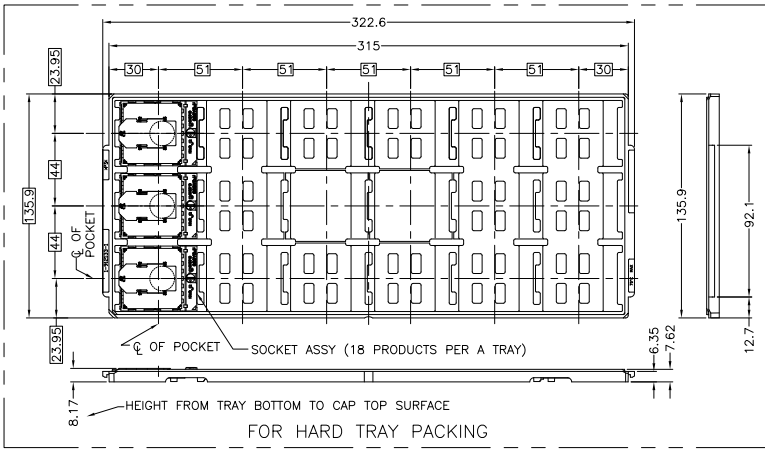
3

2

1

THIS DRAWING IS UNPUBLISHED. RELEASED FOR PUBLICATION  
 © COPYRIGHT - By Teo Electronics Japan S.K. ALL RIGHTS RESERVED.

LOC	DIST	REVISIONS		
F	LNK	DESCRIPTION	DATE	BY
E2		REVISED	15MAR'11	Y.T T.N



THIS DRAWING IS A CONTROLLED DOCUMENT.		DN T TOKUNAGA	22MAY2009	TE Connectivity
		CHK H TAGUCHI	22MAY2009	
		APD T NAKASHIMA	22MAY2009	SOCKET ASSY rPGA989 & rPGA988X
		PRODUCT SPEC BUK-08-78587		
		APPLICATION SPEC BUK-08-5445		RESTRICTED TO
MATERIAL SEE NOTE		FINISH SEE NOTE	WEIGHT SEE SHEET 4 OF 7	SIZE A2
		CUSTOMER DRAWING	SCALE 1:1	NTS
			SHEET 1 of 7	REV E2

1471-9 (3/11)

2013620

A

4

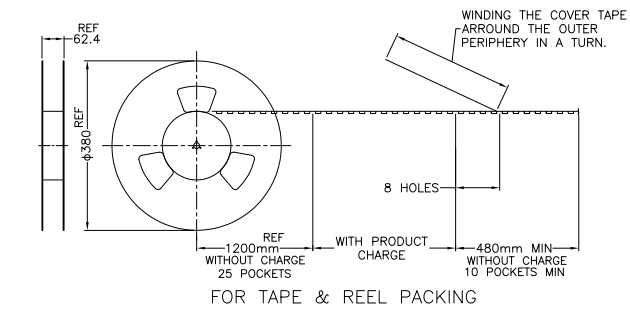
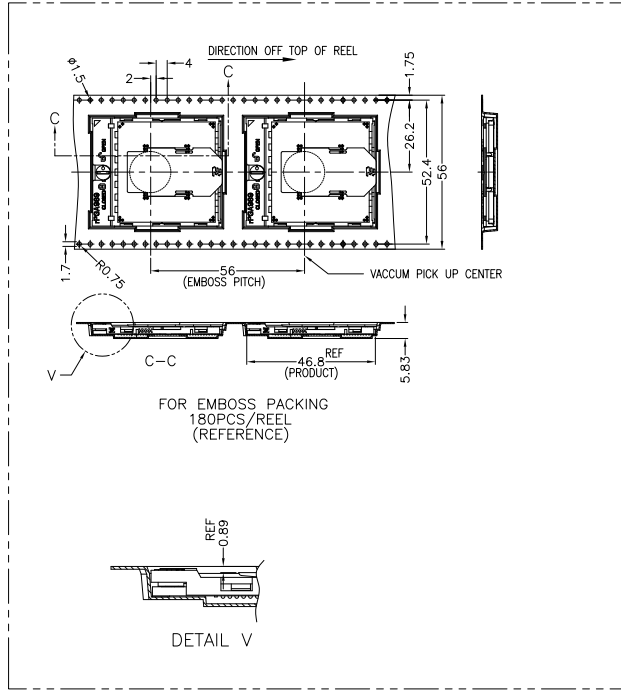
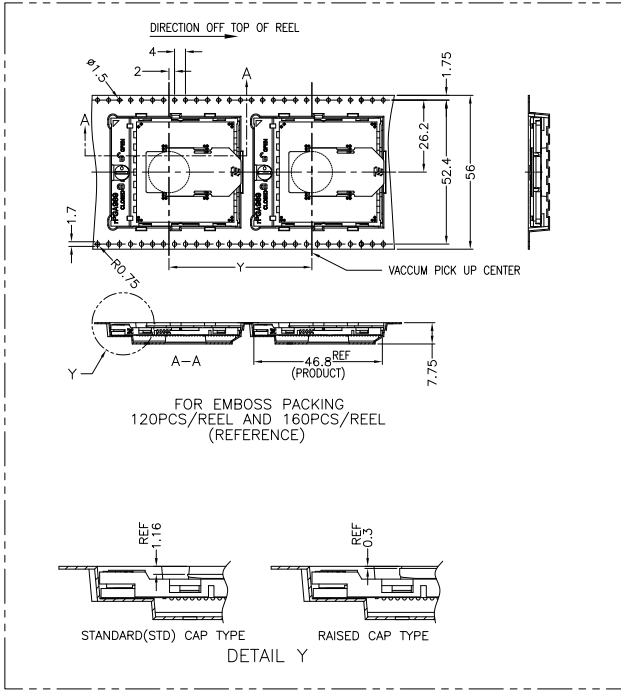
3

2

1

THIS DRAWING IS UNPUBLISHED. RELEASED FOR PUBLICATION. ALL RIGHTS RESERVED.  
 © COPYRIGHT - By Tyco Electronics Japan S.K.

LOC	DIST	REV	DESCRIPTION	DATE	BY	APP
-	-	F	LW	-	-	-
-	-	-	SEE SHEET 1	-	-	-



THIS DRAWING IS A CONTROLLED DOCUMENT.		DIM: <input type="checkbox"/> DIM CHK: <input type="checkbox"/> CHK NAME: <input type="checkbox"/> NAME APPO: <input type="checkbox"/> APPO PRODUCT SPEC: <input type="checkbox"/> PRODUCT SPEC APPLICATION SPEC: <input type="checkbox"/> APPLICATION SPEC WEIGHT: <input type="checkbox"/> WEIGHT		<b>TE</b> TE Connectivity SOCKET ASSY rPGA989 & rPGA988X	
DIMENSIONS: REF, mm TOLERANCES UNLESS OTHERWISE SPECIFIED: 0-PHOS ±0.3 0-PLD ±0.3 0-PC ±0.3 0-PC ±0.3 ANGLES ±1° FINISH 0.1		SIZE: A2 CAGE CODE: 00779 DRAWING NO: 2013620		RESTRICTED TO: <input type="checkbox"/> SCALE: NTS SHEET: 2 of 7 REV: E2	
MATERIAL: 998		CUSTOMER DRAWING			



4

3

2

1

THIS DRAWING IS UNPUBLISHED. RELEASED FOR PUBLICATION.  
 © COPYRIGHT - By Teo Electronics Japan S.K. ALL RIGHTS RESERVED.

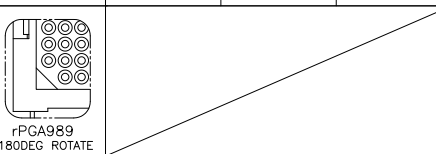
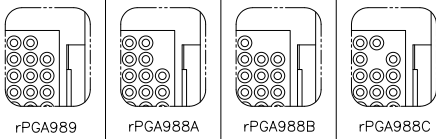
REV	DESCRIPTION	DATE	BY	APPD
1	SEE SHEET 1	-	-	-

PRODUCT TOP VIEW (WITHOUT CAP)

PRODUCT BOTTOM VIEW

PACKAGE ORIENTATION	rPGA989	rPGA988A	rPGA988B	rPGA988C	rPGA989/988A/988B/988C
STANDARD					
180DEG ROTATE					

DETAIL Z  
COVER HOLE CONFIGURATION



7.7	56	120	TAPE & REEL	STD	rPGA989	5-2013620-3
7.7	52	160	TAPE & REEL	STD	rPGA989	5-2013620-2
7.8	56	120	TAPE & REEL	RAISED	rPGA988B	4-2013620-5
7.8	56	120	TAPE & REEL	RAISED	rPGA988A	4-2013620-4
7.8	56	120	TAPE & REEL	RAISED	rPGA989	4-2013620-3
7.7	52	160	TAPE & REEL	STD	rPGA988C	N/A
7.7	56	120	TAPE & REEL	STD	rPGA988B	2-2013620-3
7.7	52	160	TAPE & REEL	STD	rPGA988B	2-2013620-2
7.7	56	120	TAPE & REEL	STD	rPGA988A	1-2013620-3
7.7	52	160	TAPE & REEL	STD	rPGA988A	1-2013620-2
7.7	56	180	TAPE & REEL	STD	rPGA989	2013620-4
7.7	56	120	TAPE & REEL	STD	rPGA989	2013620-3
7.7	52	160	TAPE & REEL	STD	rPGA989	2013620-2
7.7	52	160	HARD TRAY	STD	rPGA989	2013620-1

PRODUCT WEIGHT (g/SOCKET)	DIMENSION Y	SOCKET QTY PER TRAY OR REEL	PACKAGE TYPE	CAP TYPE	SOCKET TYPE	PART NO.
7.7	18	18	HARD TRAY	STD	rPGA989	2013620-1

THIS DRAWING IS A CONTROLLED DOCUMENT. DIM: 01APR2008

DIMENSIONS: REF. #	TOLERANCES UNLESS OTHERWISE SPECIFIED:	DATE	NAME
mm	±0.3		
	±0.1		
	±0.05		
	±0.02		
	±0.01		
	±0.005		
	±0.002		
	±0.001		
	±0.0005		
	±0.0002		
	±0.0001		
	±0.00005		
	±0.00002		
	±0.00001		
	±0.000005		
	±0.000002		
	±0.000001		
	±0.0000005		
	±0.0000002		
	±0.0000001		
	±0.00000005		
	±0.00000002		
	±0.00000001		
	±0.000000005		
	±0.000000002		
	±0.000000001		
	±0.0000000005		
	±0.0000000002		
	±0.0000000001		
	±0.00000000005		
	±0.00000000002		
	±0.00000000001		
	±0.000000000005		
	±0.000000000002		
	±0.000000000001		
	±0.0000000000005		
	±0.0000000000002		
	±0.0000000000001		
	±0.00000000000005		
	±0.00000000000002		
	±0.00000000000001		
	±0.000000000000005		
	±0.000000000000002		
	±0.000000000000001		
	±0.0000000000000005		
	±0.0000000000000002		
	±0.0000000000000001		
	±0.00000000000000005		
	±0.00000000000000002		
	±0.00000000000000001		
	±0.000000000000000005		
	±0.000000000000000002		
	±0.000000000000000001		
	±0.0000000000000000005		
	±0.0000000000000000002		
	±0.0000000000000000001		
	±0.00000000000000000005		
	±0.00000000000000000002		
	±0.00000000000000000001		
	±0.000000000000000000005		
	±0.000000000000000000002		
	±0.000000000000000000001		
	±0.0000000000000000000005		
	±0.0000000000000000000002		
	±0.0000000000000000000001		
	±0.00000000000000000000005		
	±0.00000000000000000000002		
	±0.00000000000000000000001		
	±0.000000000000000000000005		
	±0.000000000000000000000002		
	±0.000000000000000000000001		
	±0.0000000000000000000000005		
	±0.0000000000000000000000002		
	±0.0000000000000000000000001		
	±0.00000000000000000000000005		
	±0.00000000000000000000000002		
	±0.00000000000000000000000001		
	±0.000000000000000000000000005		
	±0.000000000000000000000000002		
	±0.000000000000000000000000001		
	±0.0000000000000000000000000005		
	±0.0000000000000000000000000002		
	±0.0000000000000000000000000001		
	±0.00000000000000000000000000005		
	±0.00000000000000000000000000002		
	±0.00000000000000000000000000001		
	±0.000000000000000000000000000005		
	±0.000000000000000000000000000002		
	±0.000000000000000000000000000001		
	±0.0000000000000000000000000000005		
	±0.0000000000000000000000000000002		
	±0.0000000000000000000000000000001		
	±0.00000000000000000000000000000005		
	±0.00000000000000000000000000000002		
	±0.00000000000000000000000000000001		
	±0.000000000000000000000000000000005		
	±0.000000000000000000000000000000002		
	±0.000000000000000000000000000000001		
	±0.0000000000000000000000000000000005		
	±0.0000000000000000000000000000000002		
	±0.0000000000000000000000000000000001		
	±0.00000000000000000000000000000000005		
	±0.00000000000000000000000000000000002		
	±0.00000000000000000000000000000000001		
	±0.000000000000000000000000000000000005		
	±0.000000000000000000000000000000000002		
	±0.000000000000000000000000000000000001		
	±0.0000000000000000000000000000000000005		
	±0.0000000000000000000000000000000000002		
	±0.0000000000000000000000000000000000001		
	±0.00000000000000000000000000000000000005		
	±0.00000000000000000000000000000000000002		
	±0.00000000000000000000000000000000000001		
	±0.000000000000000000000000000000000000005		
	±0.000000000000000000000000000000000000002		
	±0.000000000000000000000000000000000000001		
	±0.0000000000000000000000000000000000000005		
	±0.0000000000000000000000000000000000000002		
	±0.0000000000000000000000000000000000000001		
	±0.005		
	±0.002		
	±0.001		
	±0.0005		
	±0.0002		
	±0.0001		
	±0.005		
	±0.002		
	±0.001		
	±0.0005		
	±0.0002		
	±0.0001		
	±0.005		
	±0.002		
	±0.001		
	±0.0005		
	±0.0002		
	±0.0001		
	±0.005		
	±0.002		
	±0.001		
	±0.0005		
	±0.0002		
	±0.0001		
	±0.005		
	±0.002		
	±0.001		
	±0.0005		
	±0.0002		
	±0.0001		
	±0.005		
	±0.002		
	±0.001		
	±0.0005		
	±0.0002		
	±0.0001		
	±0.005		
	±0.002		
	±0.001		
	±0.0005		
	±0.0002		
	±0.0001		
	±0.005		
	±0.002		
	±0.001		
	±0.0005		
	±0.0002		
	±0.0001		
	±0.0		





