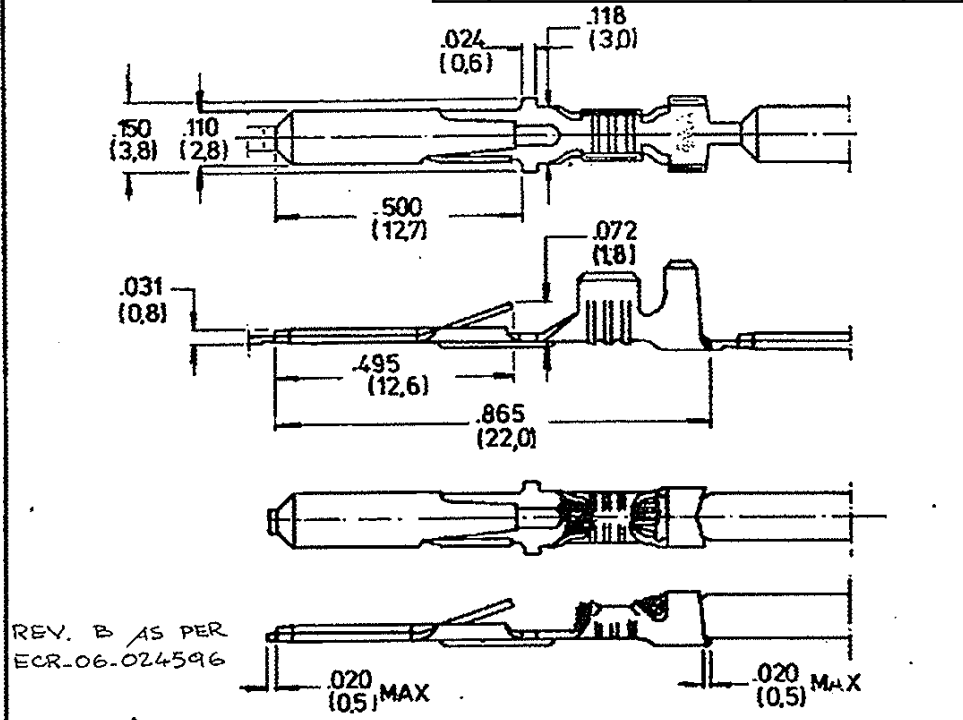


DO NOT SCALE **METRIC** THIRD ANGLE PROJECTION 

DIMENSIONS IN mm		REVISIONS			
LTR	DESCRIPTION	DATE	DWN	APVD	
B2	ECR-10-022530	03FEB11	KK	HMR	



REV. B AS PER ECR-06-024596

1 OBSOLETE PARTS: OBSOLETE CIS STREAMLINING PER D.RENAUD/D.SINISI

1	OBSOLETE	PRE-TIN PLATED	PH. BRONZE	160923 -4
	OBSOLETE	UNPLATED	PH. BRONZE	160923 -3
		PRE-TIN PLATED	BRASS	160923 -2
	OBSOLETE	UNPLATED	BRASS	160923 -1

FINISH	MATERIAL	PART NUMBER


CUSTOMER DRAWING FOR REFERENCE ONLY WILL NOT BE UPDATED	 TE Connectivity	
	THIS DRAWING IS UNCLASSIFIED	RELEASED FOR PUBLICATION Sept 1987
© COPYRIGHT 1987 BY TE HOLLAND B.V. ALL INTERNATIONAL RIGHTS RESERVED TE PRODUCTS MAY BE COVERED BY U.S. AND FOREIGN PATENTS AND/OR PATENTS PENDING		
DR <i>Rv.Lokven</i> 15/09/87	WIRE RANGE 0.2-0.5MM2	NAME 110 SRS FASTIN-ON TAB
CHK <i>AS</i> 15/9/87	INSUL RANGE 10:16 for FLK:	REV DATE D M Y 15 09 87
APP AEG 29/09/09	SIZE A4	SHEET 1 OF 1
DRAWING NO C 160923		REV LTR B2

FIG 12