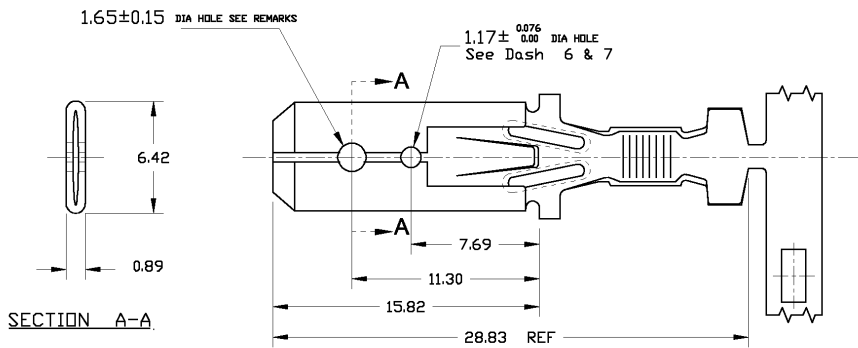


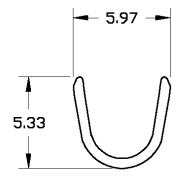
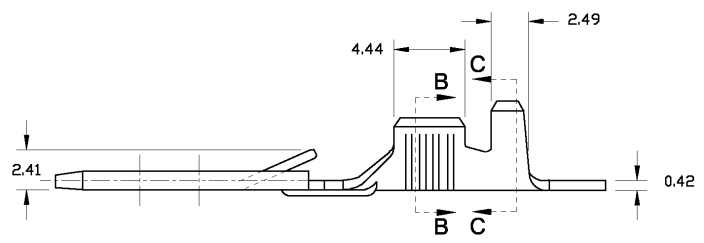
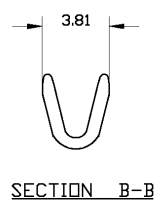
DWG NO 155378  
THIS DRAWING IS A CONTROLLED DOCUMENT

USED ON \_\_\_\_\_



**NOTES:**

- 1 DIMENSIONS WITH MAX. TOLERANCES  
(DIMENSIONES CON TOLERANCIAS MAX)
- 2 FOR REVERSE REAL SEE DWG. 155098  
DASCHES 1 - 2 - 3 AND 4 ONLY.  
(PARA ENROLLADO OPUESTO VER DIDUJO  
155098- 1, 2, 3 Y 4 SOLEMANTE.)



WITH BOTH LOCKING HOLES 1.65 AND 1.17 DIA.	NONE (NINGUNO)	PHOS. BRONZE	155378-8
WITH BOTH LOCKING HOLES 1.65 AND 1.17 DIA.	TIN PLATED (ESTARDO)	BRASS (LATON)	155378-7
WITH BOTH LOCKING HOLES 1.65 AND 1.17 DIA.	NONE (NINGUNO)	BRASS (LATON)	155378-6
WITH BOTH LOCKING HOLES	NONE (NINGUNO)	PHOS. BRONZE	155378-5
WITH LOCKING HOLE 1.65 ONLY	TIN PLATED (ESTARDO)	BRASS (LATON)	155378-4
WITH LOCKING HOLE 1.65 ONLY	NONE (NINGUNO)	BRASS (LATON)	155378-3
WITH BOTH LOCKING HOLES	TIN PLATED (ESTARDO)	BRASS (LATON)	155378-2
WITH BOTH LOCKING HOLES	NONE (NINGUNO)	BRASS (LATON)	155378-1
REMARKS (OBSERVS.)	FINISH (TERMINADO)	MATERIAL	PART NUMBER

VIRE RANGE 18-14	DIMENSIONS: MM -DIMENSIONS APPLY BEFORE PLATING-		Tyco Electronics Tyco Electronics México, SA Tlaneponita, MEX 54060	
INSUL RANGE -	TOLERANCES (UNLESS OTHERWISE SPECIFIED) 2 PLC ± 0.10 3 PLC ± 0.25 ANGLES ± 1°		NAME FASTIN FASTON TAB .250 SERIES	
SURF AREA -	CHK A LOPEZ	APVD J ELIAS	SCALE NTS	SIZE A3
	DRAWING NO C - 155378		DRAWING NO C - 155378	REV L
	SHEET 1 OF 1		SHEET 1 OF 1	

LOC AF						APPL FEED ---	TRIMMING BURR ---
DIST 50	P	LTR	REV PER NGH-1653-12	DATE	JR	NO	REELING ---
			REVISION RECORD		DWN	APVD	SPLICE ---

AMP 3306-7 REV 31 MAR 2000

THIS INFORMATION IS CONFIDENTIAL AND PROPRIETARY TO TYCO ELECTRONICS. IT IS NOT TO BE DISCLOSED TO ANY OTHER PARTY WITHOUT THE WRITTEN PERMISSION OF TYCO ELECTRONICS CORPORATION, PHILADELPHIA, PENNSYLVANIA, USA.