

4

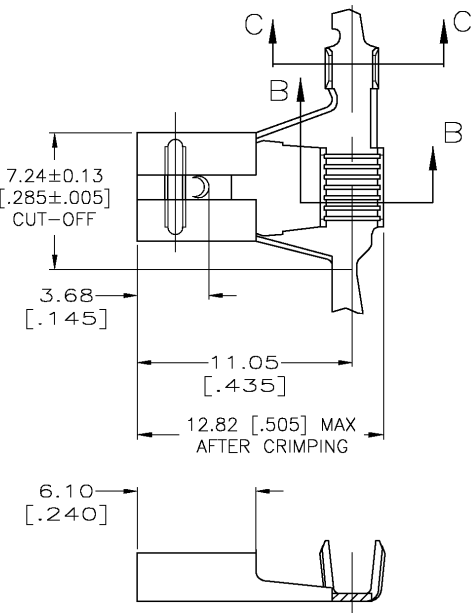
3

2

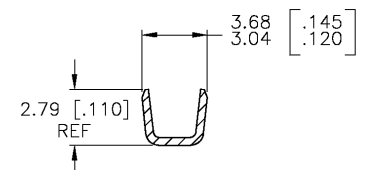
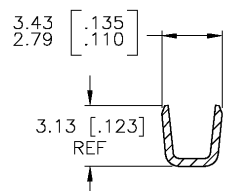
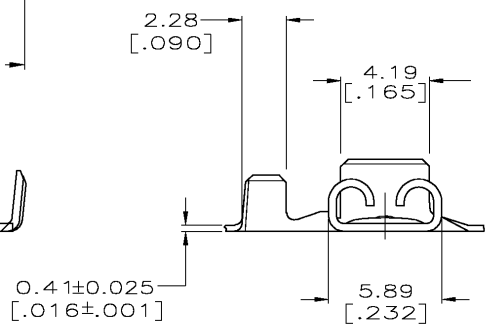
1

THIS DRAWING IS UNPUBLISHED. RELEASED FOR PUBLICATION
 © COPYRIGHT - BY TYCO ELECTRONICS CORPORATION. ALL RIGHTS RESERVED.

LOC	DIST	REVISIONS				
P	LTR	DESCRIPTION	DATE	DWN	APVD	
C		REL PER OG3A-0807-03	18DEC03	JR	PD	



- 1 CONTINUOUS STRIP ON REELS.
- 2 ACCEPTS MAGNET WIRE RANGES 2000-4050 CMA.
- 3 MATING TAB THK TO BE 0.81±0.025 [.032±.001].
- △ 0.002032 [.000080] MIN TIN



1217955-1
PART NO.

THIS DRAWING IS A CONTROLLED DOCUMENT.		DWN JR RUTH 16MAY03	tyco Electronics	Tyco Electronics Corporation Harrisburg, PA 17105	
DIMENSIONS: MM		CHK MS FEHER 16MAY03		RECEPTACLE, FASTON, FLAG, AMPLIVAR, 4.75 [.187] SERIES	
TOLERANCES UNLESS OTHERWISE SPECIFIED:		APVD P DESANTIS 16MAY03	NAME	RESTRICTED TO	
0 PLC ± -	1 PLC ± -	PRODUCT SPEC	SIZE	CAGE CODE	DRAWING NO
2 PLC ± 0.25 [.010]	3 PLC ± -	APPLICATION SPEC	A3	00779	C-1217955
4 PLC ± -	ANGLES ± -	WEIGHT	SCALE 5:1 SHEET 1 OF 1 REV C		
MATERIAL H04 BRASS	FINISH - △ 4	CUSTOMER DRAWING			

AMP 1470-19 REV 31MAR2000

H:\dmtecm\mod