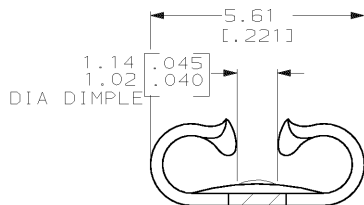


DRAWING MADE IN THIRD ANGLE PROJECTION

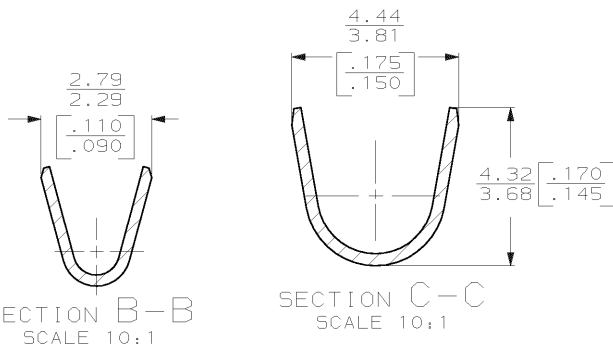
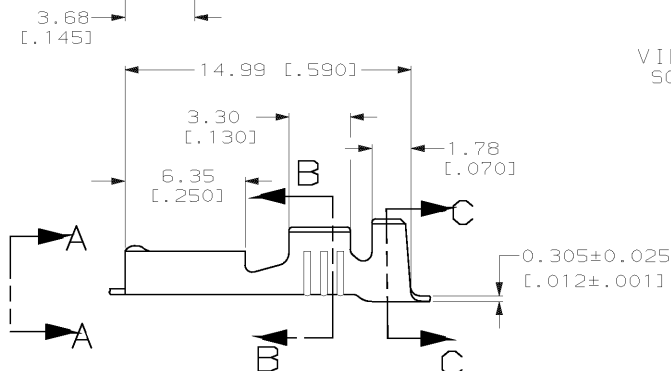
THIS DRAWING IS UNPUBLISHED. RELEASED FOR PUBLICATION
 © COPYRIGHT 19 BY AMP INCORPORATED. ALL INTERNATIONAL RIGHTS RESERVED.

LOC	DIST	REVISONS				
AF	50	ZONE	LTR	DESCRIPTION	DATE	APPD
		C		REV PER 063A-0379-01	14JUN01	JR/PD

1 CONTINUOUS STRIP ON REELS



VIEW A-A
SCALE 10:1



SECTION B-B
SCALE 10:1

SECTION C-C
SCALE 10:1

2.29-3.30 [.090-.130]	INSULATION RANGE	[#22-#18] AWG	0.51±0.025 [.020±.001]	63347-1	PART NO
DO NOT SCALE PRINT. UNLESS SPECIFIED DIMENSIONS IN MM [INCHES] TOLERANCES ON: 2 PLC DEC ± 0.25 (.010) 3 PLC DEC ± - ANGLES ± -	DR 2/8/96 JR RUTH	AMP	AMP Incorporated Harrisburg, PA 17105-3608		
MATERIAL H04 BRASS	CHK 2/8/96 P.FORTNEY	NAME RECEPTACLE, FASTON™ 4.75 [.187] SERIES			
FINISH -	APPD 2/8/96 J.HUEYAR	PRODUCT SPEC -	SIZE B	CAGE CODE 00779	DRAWING NO 63347
	APPD 2/8/96 V.KARABIESCHY	APPLICATION SPEC 114-2036	SCALE 5:1	SHEET 1 OF 1	
	WEIGHT -				

CUSTOMER DRAWING